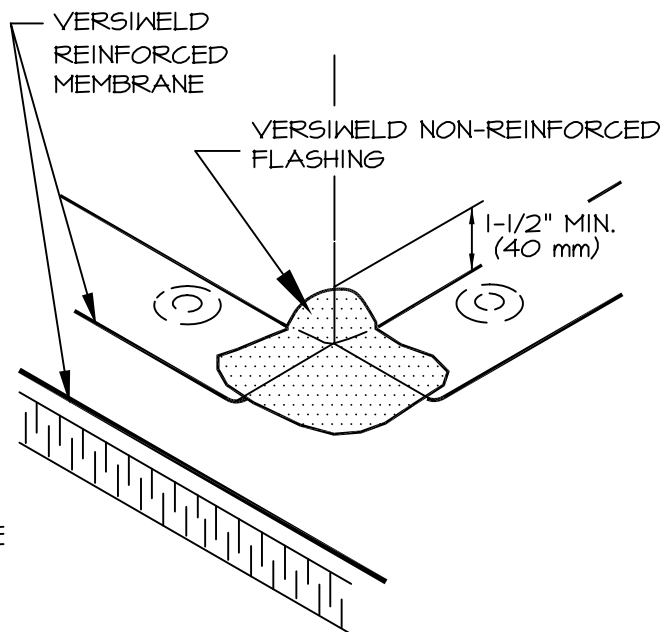
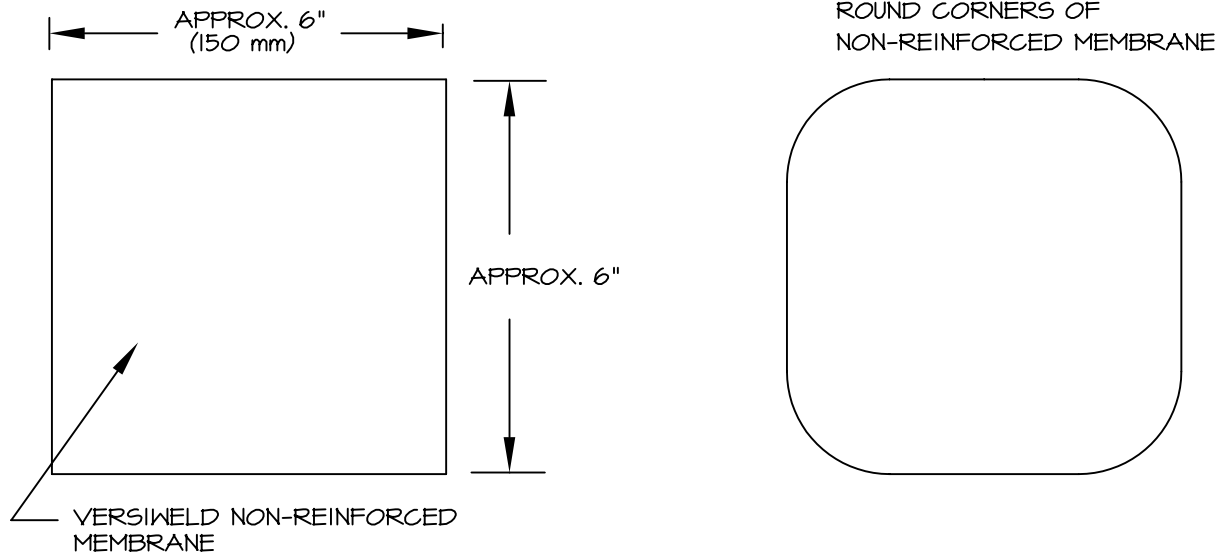


VersiWeld® ROOFING SYSTEM



POSITION AND HEAT
WELD CORNER IN PLACE
AS SHOWN

VWC-15.4
FIELD FABRICATED
OUTSIDE CORNER

VERSICO
INCORPORATED



A subsidiary of Carlisle SynTec Incorporated
© 2006 VERSICO INCORPORATED