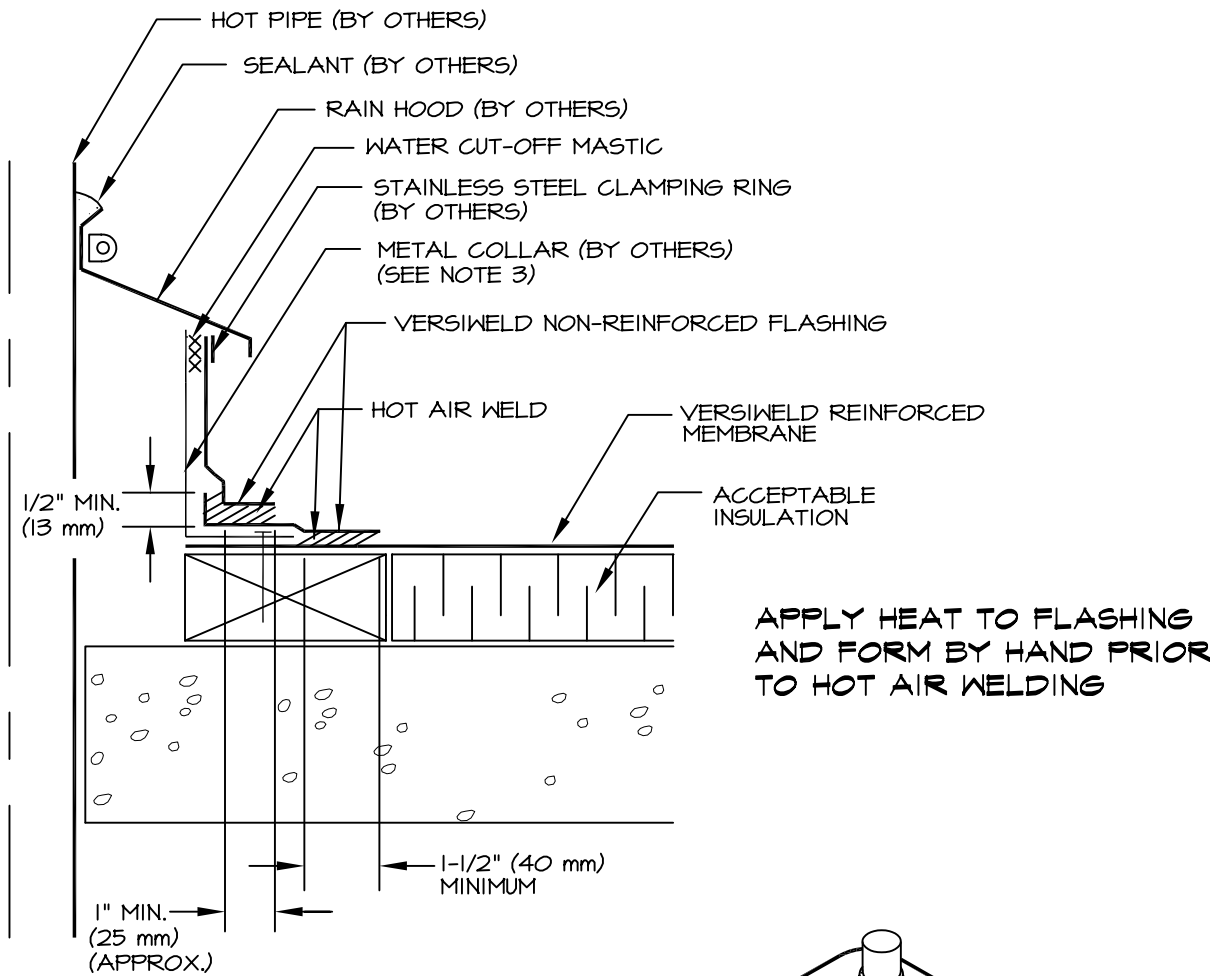
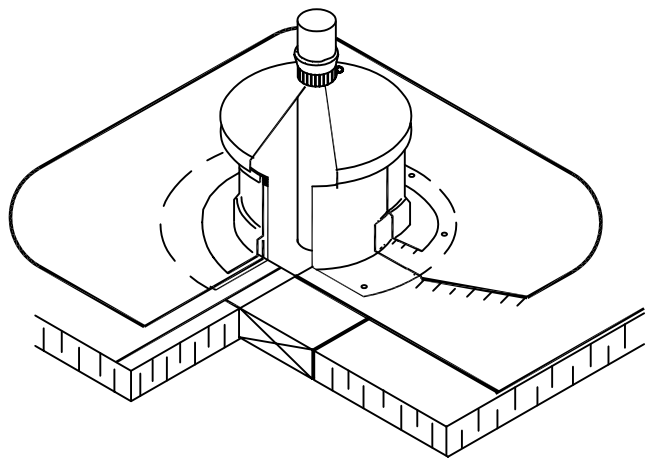


# VersiWeld® ROOFING SYSTEM



**NOTES:**

1. FIELD-FABRICATED PIPE SEAL FOR USE WITH HOT PIPE, 120° F (49° C) OR HOTTER.
2. VERSIWELD NON-REINFORCED MEMBRANE WRAPPED AROUND PIPE SHALL HAVE MINIMUM 1-1/2" (40 mm) VERTICAL HOT AIR WELD.
3. TEMPERATURE OF METAL COLLAR MUST NOT EXCEED 120° F.



VNC-8.3

FIELD FABRICATED HOT PIPE

**VERSICO**  
INCORPORATED



A subsidiary of Carlisle SynTec Incorporated  
© 2006 VERSICO INCORPORATED