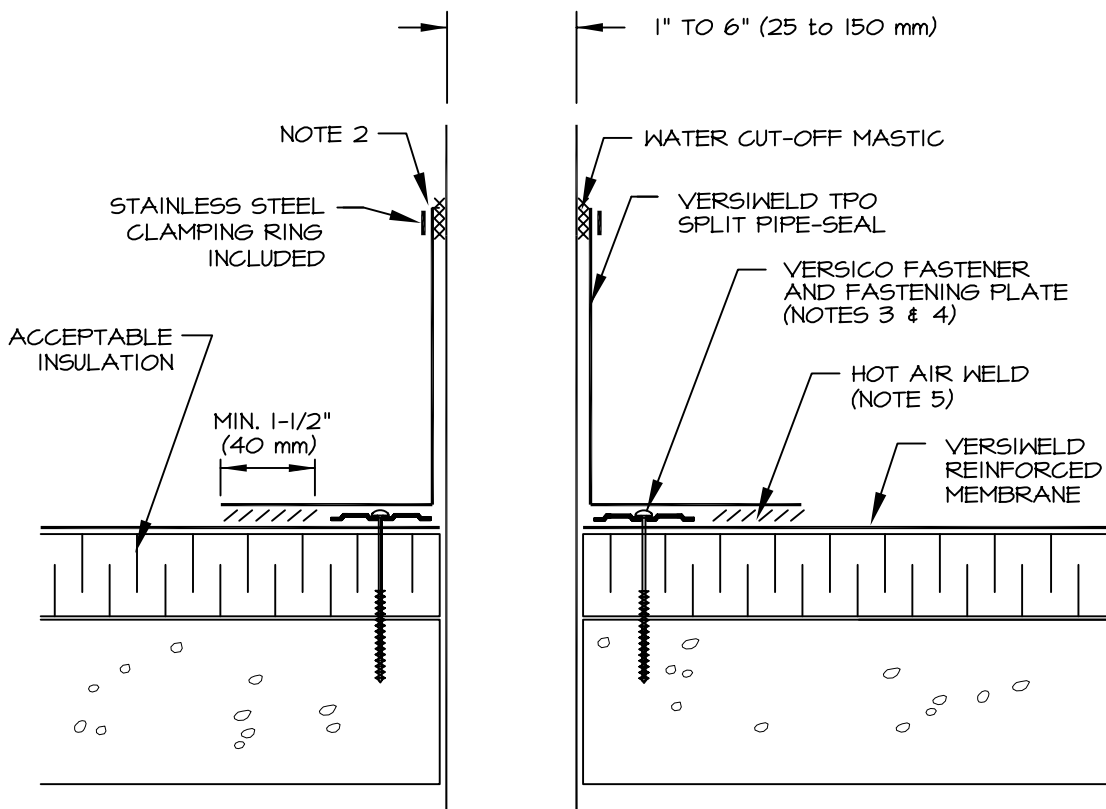


VersiWeld® ROOFING SYSTEM



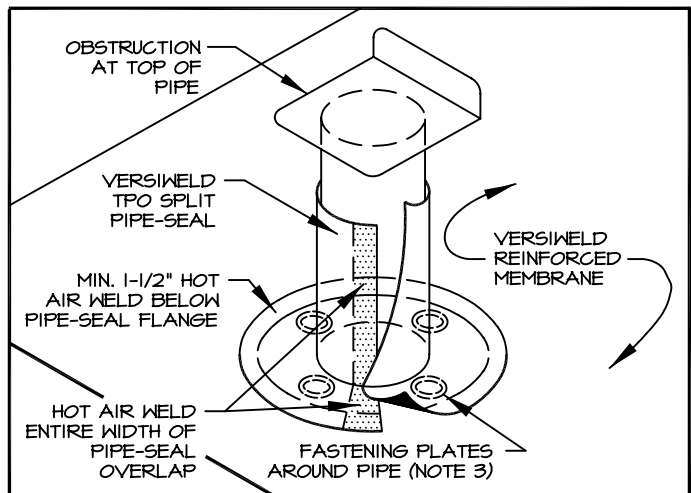
NOTES:

1. REMOVE ALL LEAD AND OTHER FLASHING.
2. TEMPERATURE OF PIPE MUST NOT EXCEED 120° F (49° C).
3. INSTALL 4 FASTENERS AND PLATES AROUND PIPE EQUALLY SPACED. FASTENERS MAY ALSO BE POSITIONED MAXIMUM 12" (300 mm) FROM PIPE, FASTENED 12" ON CENTER AND FLASHED WITH VERSIWELD REINFORCED MEMBRANE.

FASTENERS/PLATES ARE NOT REQUIRED ON ADHERED SYSTEMS UNLESS PIPE DIAMETER EXCEEDS 18" (500 mm).

IF PLATES CANNOT BE INSTALLED AS SHOWN THEY CAN BE POSITIONED OUTSIDE THE PIPE FLASHING FLANGE AS SHOWN ON DETAIL VWC-8.6.

4. PIPE FLASHING DECK FLANGE MUST BE HOT AIR WELDED A MINIMUM OF 1-1/2" (40 mm) BEYOND FASTENING PLATES.



VWC-8.4

VERSIWELD TPO SPLIT PIPE SEAL

VERSIWELD
INCORPORATED



A subsidiary of Carlisle SynTec Incorporated
© 2006 VERSICO INCORPORATED