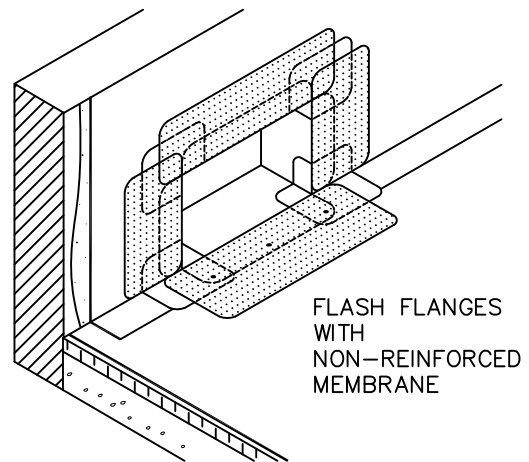
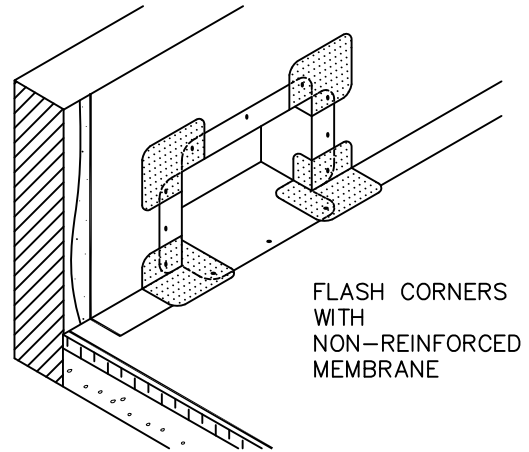


NOTE: FORM SCUPPER BOX OF PVC COATED METAL, TAPE THE METAL SEAM, AND OVERLAY WITH FLASHING BEFORE INSERTING INTO SCUPPER OPENING. POSITION THE SCUPPER BOX SO THE METAL SEAM IS LOCATED ON THE TOP OR SIDES OF THE SCUPPER.



NOTES:

1. WOOD NAILER MUST EXTEND PAST TOTAL WIDTH OF DECK FLANGE.
2. INSTALL WALL FLASHING PRIOR TO SCUPPER INSTALLATION.
3. DISCONTINUE FASTENING PLATES AT SCUPPER OPENING AS SHOWN.
4. MINIMUM 2" (50 mm) SPLICE FROM NAIL HEAD.
5. UNIVERSAL SINGLE-PLY SEALANT IS REQUIRED AT FLASHING EDGE ON SCUPPER EDGE. VERSICO V-150 PRIMER MUST BE USED TO PREPARE SURFACES PRIOR TO APPLYING PT 304 SEALANT.

VFC-18  
SCUPPER WITH COATED METAL