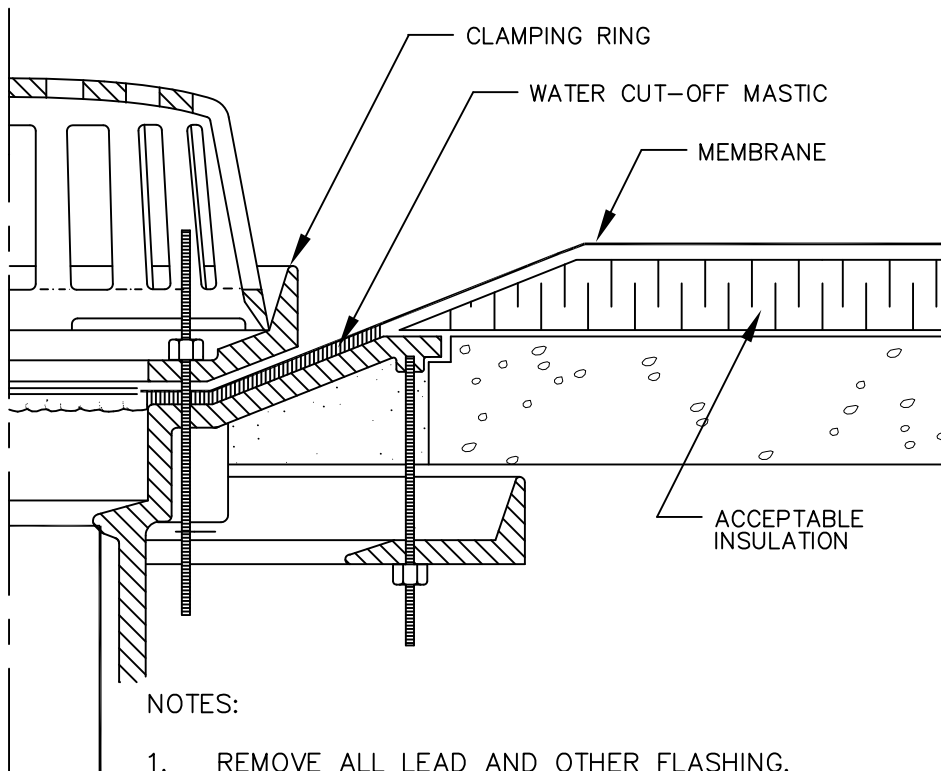
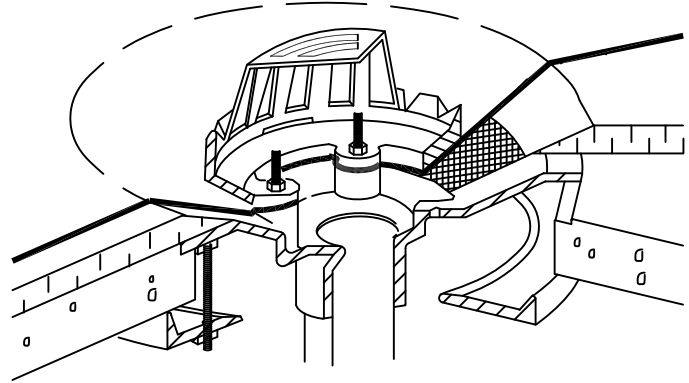


FOR DRAINS WITH TAPERED
INSULATION AT DRAIN SUMP
LESS THAN 3 INCHES TO 1
HORIZONTAL FOOT
(75 mm/300 mm)



NOTES:

1. REMOVE ALL LEAD AND OTHER FLASHING.
2. ALL BOLTS AND CLAMPS MUST BE IN PLACE TO PROVIDE CONSTANT COMPRESSION ON WATER CUT-OFF MASTIC.
3. CUT THE MEMBRANE SO IT EXTENDS A MINIMUM OF 1/2" (13 mm) FROM THE ATTACHMENT POINTS OF THE DRAIN CLAMPING RING.
4. FOR DRAIN SUMPS WITH SLOPES GREATER THAN 3" (75 mm) IN 12" (300 mm) REFER TO VersiFlex VFC-6B DETAIL.
5. IT IS PREFERRED TO LOCATE SEAMS AT LEAST 6" (150 mm) OUTSIDE DRAIN SUMP. IF SEAMS EXTEND UNDER CLAMPING RING, ENTIRE SEAM OVERLAP MUST BE HOT AIR WELDED.

VFC-6A
ROOF DRAIN



VERSICO
ROOFING SYSTEMS
© 2008 VERSICO, LLC