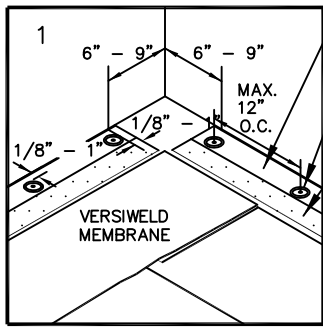


# VERSIWELD ROOFING SYSTEM



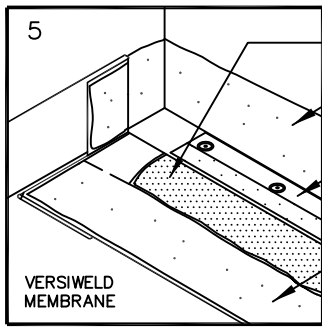
6" WIDE TPO PRESSURE-SENSITIVE RUSS

VERSIWELD MEMBRANE

VERSICO PLATE AND FASTENER, MAX. 12" O.C.

PRE-APPLIED QA TAPE

INSTALL TPO PRESSURE-SENSITIVE RUSS AND FASTEN TO ROOF DECK WITH APPROVED VERSICO FASTENERS AND PLATES, MAX. 12" O.C.



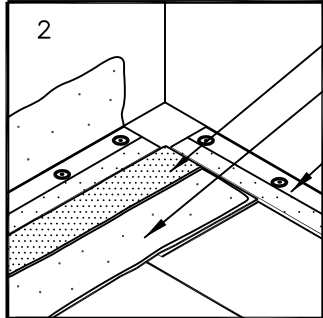
TPO PRIMER

BONDING ADHESIVE

6" WIDE TPO PRESSURE-SENSITIVE RUSS

BONDING ADHESIVE

VERSIWELD MEMBRANE

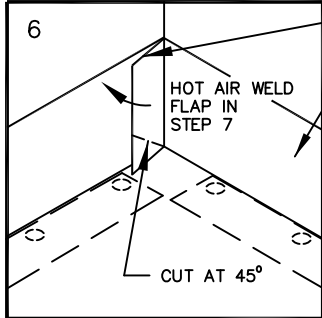


TPO PRIMER

BONDING ADHESIVE

6" WIDE TPO PRESSURE-SENSITIVE RUSS

FOR RUSS SECUREMENT, REFER TO DETAIL VWC-12.3 OR VWC-12.4.

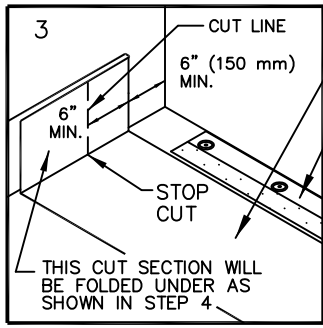


1-1/2" (40 mm) WIDE MIN.

HOT AIR WELD FLAP IN STEP 7

VERSIWELD MEMBRANE

CUT AT 45°



CUT LINE

6" (150 mm) MIN.

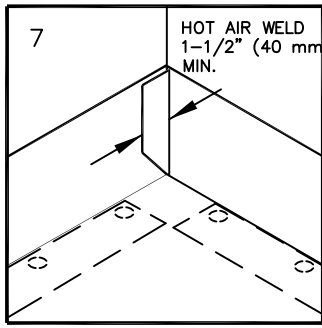
6" MIN.

STOP CUT

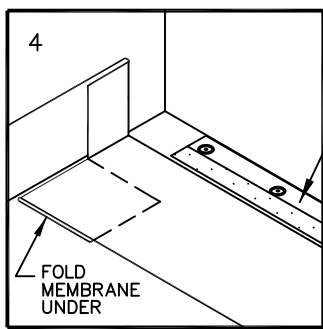
VERSIWELD MEMBRANE

6" WIDE TPO PRESSURE-SENSITIVE RUSS

THE CUT SECTION OF VERTICAL MEMBRANE WILL BE FOLDED UNDER THE FIELD MEMBRANE AS SHOWN IN STEP 4.

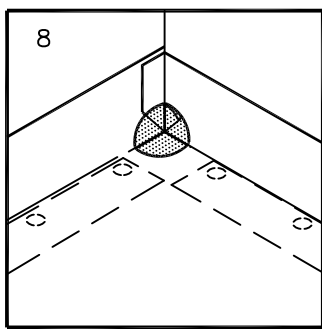


HOT AIR WELD 1-1/2" (40 mm) MIN.



6" WIDE TPO PRESSURE-SENSITIVE RUSS

FOLD MEMBRANE UNDER



APPLY VERSICO INSIDE CORNER IN ACCORDANCE WITH VERSICO DETAIL VWC-15.1 OR VWC-15.2

APPLY CUT-EDGE SEALANT TO CUT EDGES OF VERSIWELD REINFORCED MEMBRANE.

VWC-15.5  
INSIDE CORNER  
TPO PRESSURE-SENSITIVE (PS) RUSS

