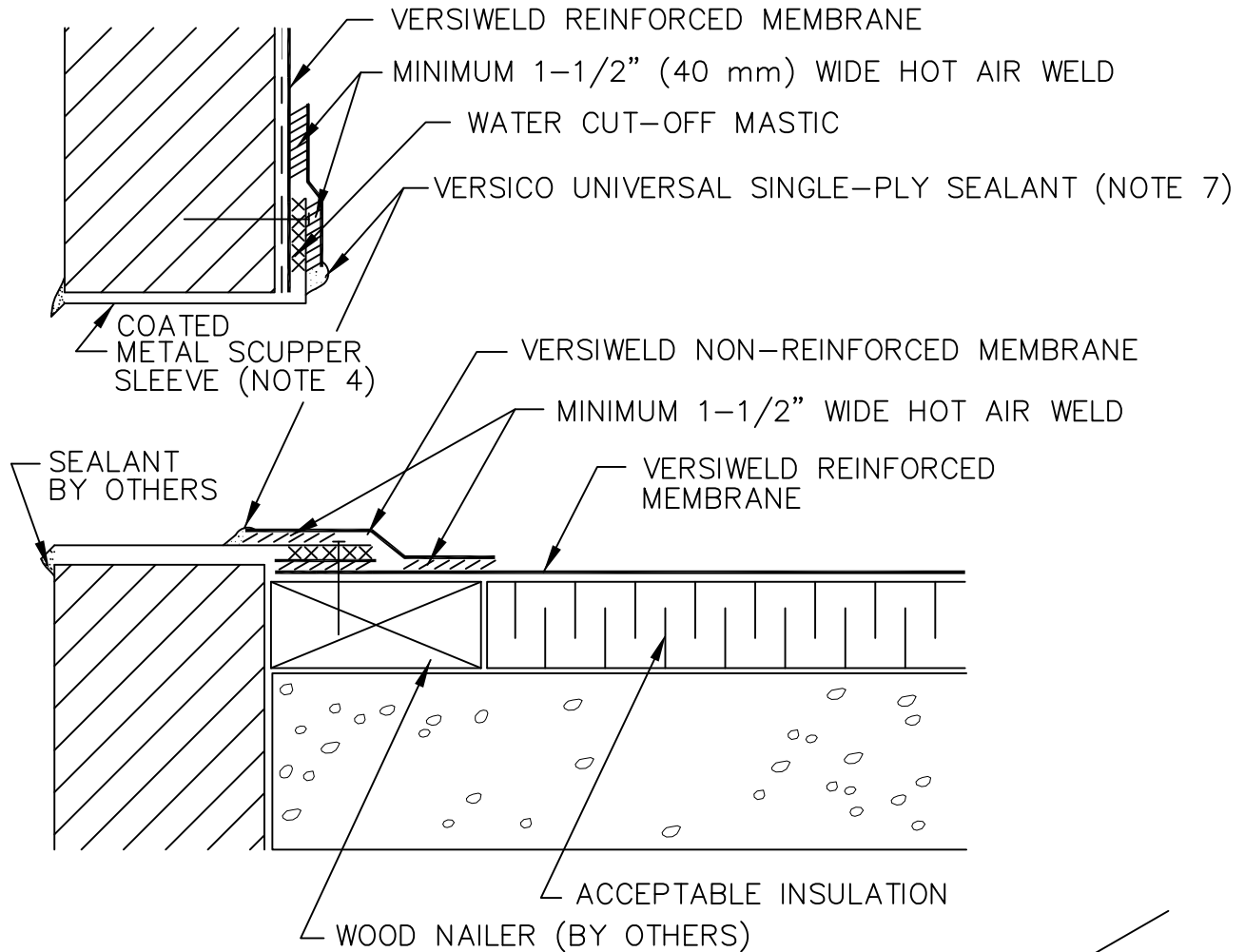
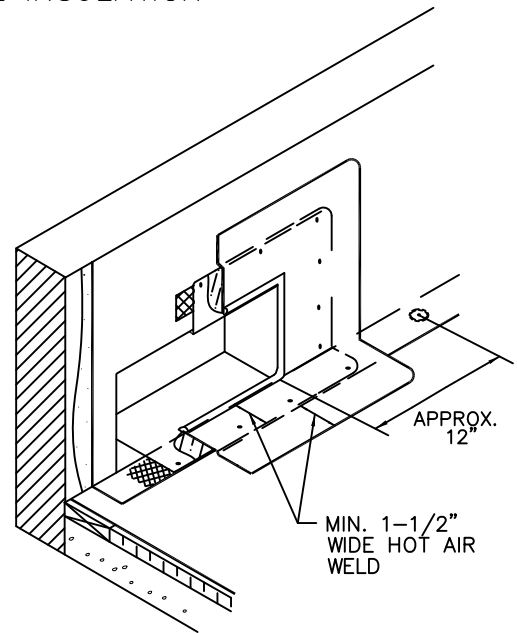


VERSIWELD ROOFING SYSTEM



NOTES:

1. TREATED WOOD NAILER MUST EXTEND PAST TOTAL WIDTH OF DECK FLANGE.
2. INSTALL WALL FLASHING PRIOR TO SCUPPER INSTALLATION.
3. DISCONTINUE FASTENING PLATES AT SCUPPER OPENING AS SHOWN.
4. METAL SCUPPER BOX MUST HAVE CONTINUOUS SIDES; METAL FLANGE MUST BE CONTINUOUS WITH ROUNDED CORNERS.
5. WATER CUT-OFF MASTIC UNDER SCUPPER FLANGE MUST BE UNDER CONSTANT COMPRESSION.
6. MINIMUM 2" (50 mm) SPLICE FROM NAIL HEAD.
7. UNIVERSAL SINGLE-PLY SEALANT IS REQUIRED AT FLASHING EDGE ON SCUPPER EDGE. TPO PRIMER MUST BE USED TO PREPARE SURFACES PRIOR TO APPLYING UNIVERSAL SINGLE-PLY SEALANT.



VWC-18.2

SCUPPER WITH COATED METAL


VERSICO
 ROOFING SYSTEMS

© 2008 VERSICO, LLC