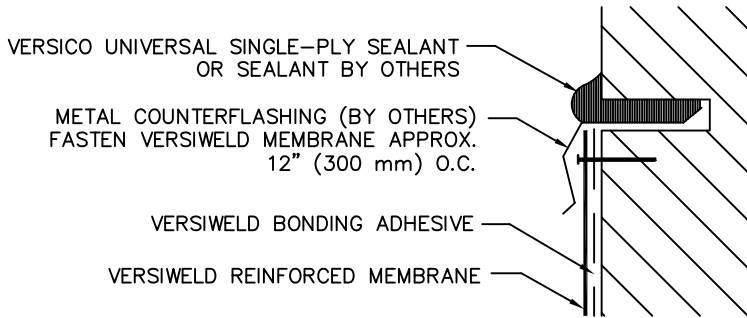


VERSIWELD ROOFING SYSTEM

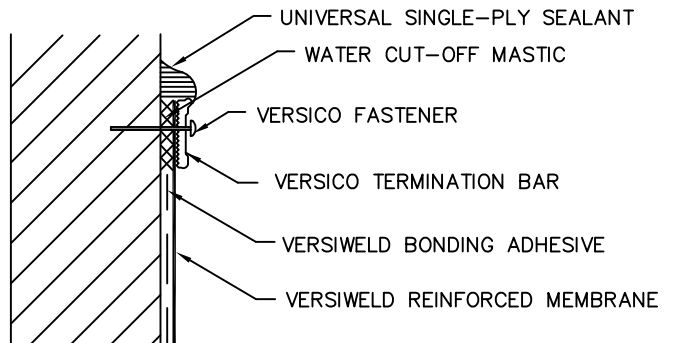
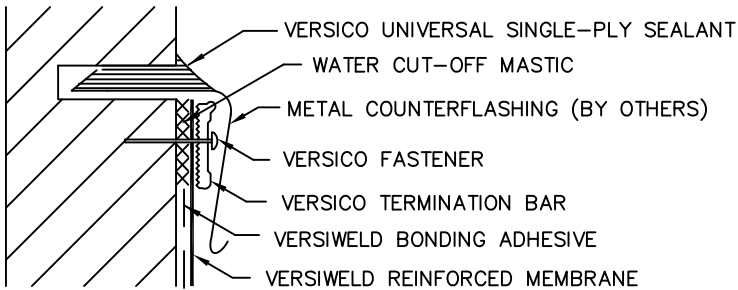


NOTES:

1. COUNTERFLASHING SHALL BE ELEVATED ABOVE PONDED WATER.
2. NOT FOR USE ON 15-YEAR WARRANTY PROJECTS (REFER TO DETAIL VWC-9.6).
3. BONDING ADHESIVE IS NOT REQUIRED WHEN FLASHING HEIGHT IS 12" (300 mm) OR LESS.

VWC-9.3 COUNTERFLASHING TERMINATION

FOR USE ON 15-YEAR WARRANTY PROJECTS. TERMINATION BAR IS NOT REQUIRED ON 10-YEAR WARRANTY PROJECTS (REFER TO DETAIL VWC-9.3)

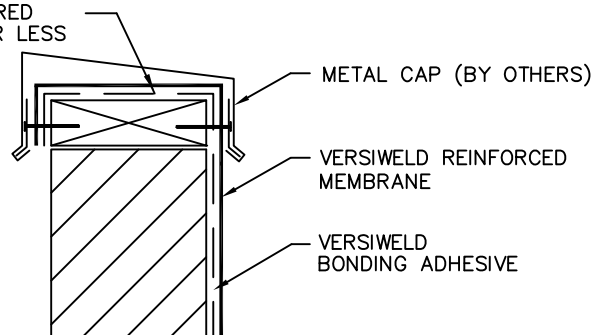
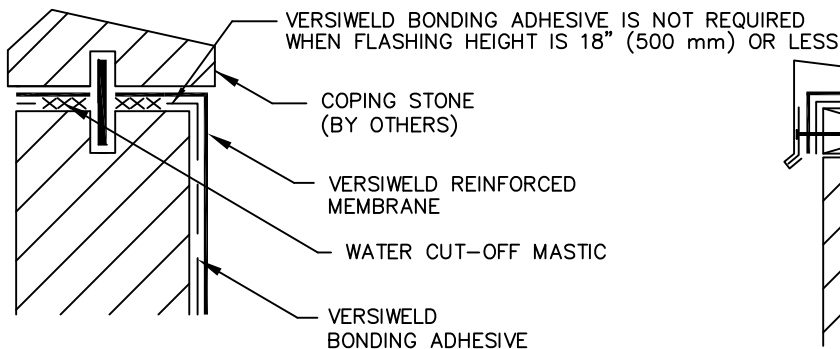


1. APPLY ON HARD SMOOTH SURFACE ONLY; NOT FOR USE ON WOOD.
2. DO NOT WRAP COMPRESSION TERMINATION AROUND CORNERS.
3. FASTENERS OF METAL BAR MUST PROVIDE CONSTANT COMPRESSION ON WATER CUT-OFF MASTIC.

4. ALLOW 1/4" to 1/2" (6 to 13 mm) SPACING BETWEEN CONSECUTIVE LENGTHS OF TERMINATION BAR.
5. BONDING ADHESIVE IS NOT REQUIRED WHEN FLASHING IS 18" (500 mm) OR LESS.

VWC-9.6 MECHANICAL TERMINATION

VWC-9.4 MECHANICAL TERMINATION



VWC-9.5 COPING STONE TERMINATION

VWC-9.2 CAP FLASHING TERMINATION

VWC-9 FLASHING TERMINATIONS



© 2008 VERSICO, LLC