



# VERSIFLEECE

## FULLY ADHERED WITH DASH™ ADHESIVE

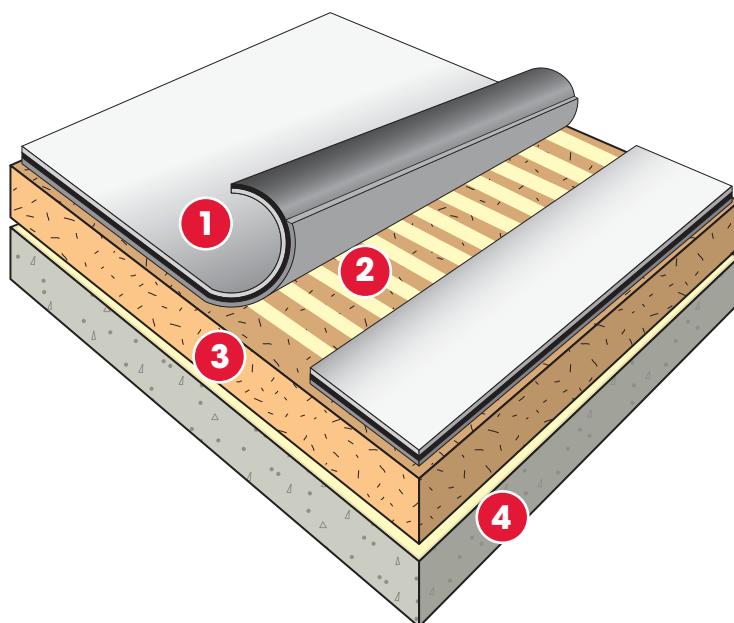
VersiFleece TPO incorporates reinforced TPO membrane laminated to a 55-mil, non-woven polyester fleece backing. The membrane is available in 100- and 115-mil total thicknesses.

### Typical Application

1. VersiWeld® VersiFleece TPO Membrane
2. DASH Adhesive
3. Acceptable Insulation
4. Approved Roof Deck

### Features and Benefits

- Superior wind uplift performance
- Membrane formulation contains no chlorinated ingredients or plasticizers
- White and Tan TPO membranes meet ENERGY STAR® performance guidelines
- Top-ply membrane thickness adds improved long-term weatherability and durability
- 10-, 15- and 20-year Total System Warranties are available
- A warranted system is installed by an Authorized Versico Roofing Contractor
- Membrane features OctaGuard XT Weathering Technology
- DASH can be applied at 12", 6", or 4" o.c. depending on project requirement
- A warranted system is completed with Certified Fabricated Accessories, the only factory-fabricated TPO accessories that meet the stringent quality tolerances required to be included in a Versico warranted roofing system.



### VersiFleece TPO Membrane is available in:

- Colors: White, Gray and Tan
- Thickness (mils): 100 and 115
- Standard Widths: 6' and 12'
- Standard Length: 50' and 100' (6' only in 100' roll)



**VERSICO**  
ROOFING SYSTEMS

A SINGLE SOURCE FOR SINGLE-PLY ROOFING

**Versico**, PO Box 1289, Carlisle, PA 17013  
Tel: **800.992.7663** Fax: 717.960.4036 Web: **www.versico.com**



# VERSIFLEECE

## Installation of VersiFleece TPO Using DASH Adhesives

Versico's DASH Adhesive is a construction-grade, two-component, polyurethane adhesive. The low-rise, expanding characteristics are designed to bond VersiFleece TPO membrane and insulations to a variety of substrates.

Versico DASH Adhesive is compatible with: wood fiberboard, polyisocyanurate insulation, EPS, extruded polystyrene, DensDeck®, Securock® and OSB. Compatible deck types include concrete, cellular lightweight concrete, gypsum, cementitious wood fiber, wood and painted or galvanized steel.

Versico DASH Adhesive is also compatible with the following roofing substrates: smooth BUR (previously exposed), mineral cap sheet, smooth (previously exposed) and granulated SBS Mod-Bit.

Versico DASH is applied in beads or ribbons 4", 6" or 12" o.c. depending on the wind zone, building height and code requirements, to produce a strong adhesive bond between the VersiFleece TPO membrane, the insulation and the substrate.

When DASH Adhesive develops string/body (approx. 1.5-2 minutes), roll VersiFleece TPO membrane into DASH Adhesive. The time it takes for the adhesive to develop string will vary based on environmental conditions (temperature and humidity).

Roll membrane with a roller (not to exceed 150 lbs.) to ensure fleece embedment. If adhesive contaminates the splice area, immediately remove with TPO primer.

EXISTING OR NEW DECK TYPE	NEW CONSTRUCTION						REROOFING		
	STEEL	PLYWOOD	LT. WT. CONCRETE	STRUCTURAL CONCRETE	WOOD PLANKS	GYPSUM & FIBROUS CEMENT	SMOOTH BUR SURFACE	GRAVEL-SURFACED BUR	EXISTING SINGLE-PLY
INSULATION REQUIRED	YES	NO	NO	NO	NO	NO	NO	YES	NO
RECOMMENDED INSULATIONS	VERSICO POLYISO, RECOVERY BOARD, DENSDECK OR SECUROCK OVER ACCEPTABLE INSULATION						REFER TO NEW CONSTRUCTION		
INSULATION ATTACHED BY	DASH ADHESIVE OR VERSICO FASTENERS						REFER TO NEW CONSTRUCTION		
MEMBRANE ATTACHED BY	DASH ADHESIVE						REFER TO NEW CONSTRUCTION		

FOR TEAR-OFF OPTIONS REFER TO NEW CONSTRUCTION ABOVE.

For current code approvals and warranties, visit Versico's web site or contact a design analyst.

\* Refer to VersiFleece TPO Design Criteria portion of the current specifications

