



VERSIWELD

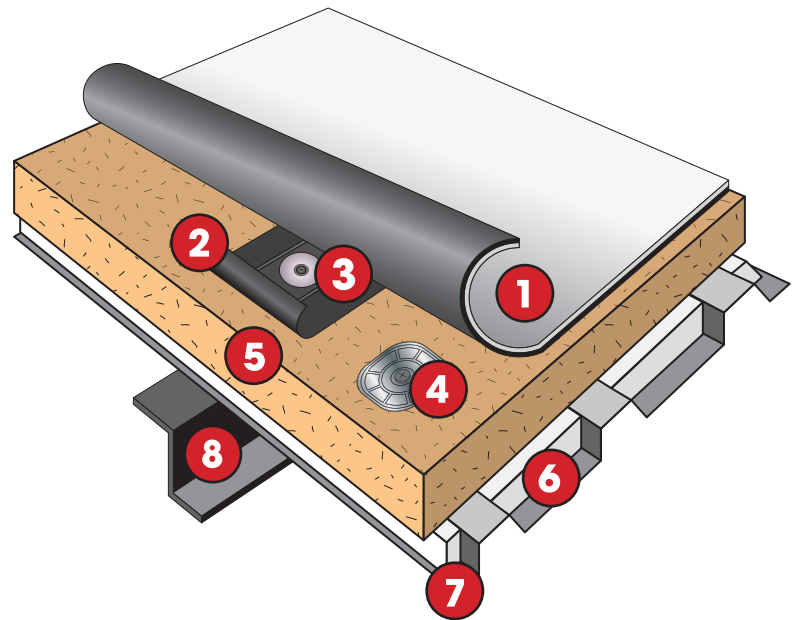
TPO METAL RETROFIT

TPO METAL RETROFIT ROOFING SYSTEM

The VersiWeld TPO Metal Retrofit Roofing System is designed for retrofitting existing standing seam, flat seam or corrugated metal roofs.

Typical Application

1. VersiWeld 45-mil Membrane
2. 10"-wide RUSS™ (Reinforced Universal Securement Strip)
3. Versico Purlin Fasteners
4. HPV or HPVX Fasteners
5. Acceptable Insulation
6. Flute Filter
7. Existing Metal Roof
8. Structural Purlin



Features and Benefits

- 45-, 60, 72- and 80-mil membrane thicknesses
- White, Gray and Tan colors available
- Heat-weldable seams
- ENERGY STAR®, CRRC and LEED approved roofing membrane
- High wind uplift performance
- Industry's highest top ply membrane thickness adds improved weatherability, durability and long-term rooftop performance

VersiGard EPDM Membrane is available in:

- Standard Gauges: 45-, 60-, 72- and 80-mil
- Colors: White, Gray, Tan
- Standard Widths: 12'
- Standard Lengths: 100'

Installation

An acceptable insulation is used to fill the metal deck flutes. A subsequent layer of insulation or membrane underlayment is then installed and secured to the metal roof with HPV or HPVX Fasteners and metal insulation plates.

10" wide TPO Pressure-Sensitive RUSS strips are attached through the insulation (underlayment) to the purlins with Versico Purlin Fasteners. VersiWeld reinforced TPO membrane is then attached to the RUSS strips. Adjoining membrane sheets are hot air welded together using an approved auto hot air welder.



VERSICO
ROOFING SYSTEMS

A SINGLE SOURCE FOR SINGLE-PLY ROOFING

Versico, PO Box 1289, Carlisle, PA 17013
Tel: **800.992.7663** Fax: 717.960.4036 Web: **www.versico.com**



VERSIWELD

TPO METAL RETROFIT

Metal Retrofit Fully Adhered Roofing System

After filling the metal flutes with an acceptable insulation, attach the approved roofing insulation board to the metal roofing with Versico's HPV or HPVX fasteners and metal insulation plates or with an approved adhesive (DASH DC or other approved). VersiWeld membrane is then adhered to the insulation with VersiWeld Bonding Adhesive.

Membrane and System Strengths

- Economically installed over existing metal roofs
- Specially-designed fastening system using Versico's RUSS strips anchored into the structural purlins (the strongest point of the roof) provide optimum performance
- Installs easily over most aged metal roof decks
- Heat weldable seams provide a complete and monolithic membrane assembly
- Reinforced VersiWeld TPO membranes are durable, highly puncture resistant and carry the ENERGY STAR rating for a Cool Roof design

System Codes

- UL Class A, B and Unlimited Slope ratings are available
- Meets FM Loss Prevention Data Sheet 1-31
- For code specifics, refer to Versico's Code Approval Guide

Quality Assurance

Versico Authorized Contractors have received training to install Versico's Metal Retrofit Roofing Systems.

Inspection

Upon installation completion, and prior to the issuance of a membrane system warranty, an inspection will be conducted by a Versico Field Service Representative.

Warranty

Consult your Authorized Contractor or Versico Independent Sales Representative for associated warranty charges.

This system, properly installed and inspected on a commercial project may receive:

- A 10-year Total System or 15-year Total System Warranty may be requested when all materials used for the roofing installation are manufactured or marketed by Versico. A maximum peak gust wind speed coverage of 55 miles per hour is standard.
- For more specifics or for International warranty programs, contact Versico.

	SYSTEM OPTIONS	
	MECHANICALLY ATTACHED	FULLY ADHERED
	FLUTES OF EXISTING METAL ROOF ARE FILLED WITH AN ACCEPTABLE INSULATION	
FLUTE FILLER ATTACHED BY	INSULATION IS LOOSE-LAID INTO FLUTES	INSULATION IS LOOSE-LAID INTO FLUTES OR SET WITH APPROVED ADHESIVE
APPROVED VERSICO INSULATION IS THEN LAID OVER EXISTING ROOF		
INSULATION ATTACHED BY	INSULATION IS MECHANICALLY FASTENED INTO EXISTING METAL WITH INSULTITE, HPV OR HPVX FASTENERS	HPV OR HPVX FASTENERS SECURE INSULATION TO EXISTING METAL, OR FAST ADHESIVE
MEMBRANE ATTACHED BY	PURLIN FASTENERS USED TO ATTACH 10" TPO PRESSURE-SENSITIVE RUSS STRIP INTO EXISTING TPO PURLINS	BONDING ADHESIVE IS UTILIZED TO ADHERE MEMBRANE TO THE INSULATION

