



VERSIGARD

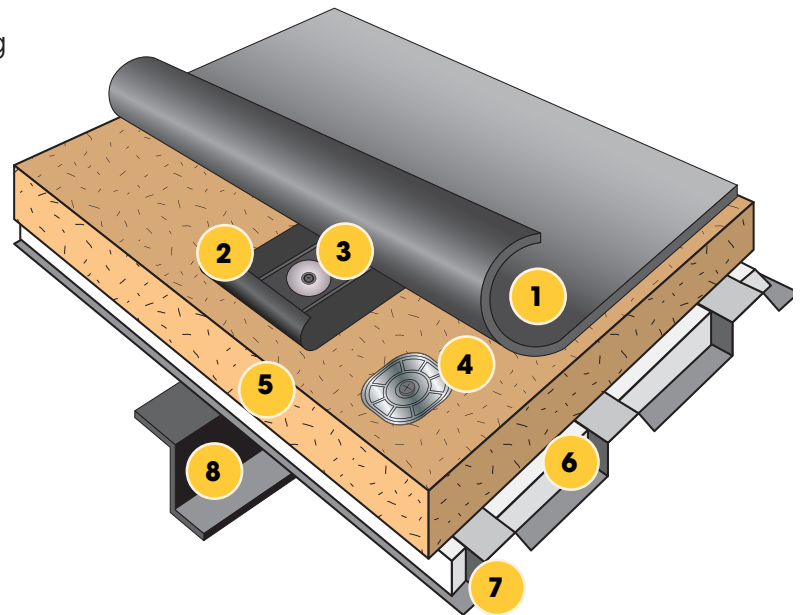
METAL RETROFIT

METAL RETROFIT ROOFING SYSTEM

The VersiGard® EPDM Metal Retrofit Roofing System is designed for retrofitting existing standing seam, flat seam or corrugated metal roofs.

Typical Application

1. Reinforced Membrane
2. 9"-wide RTS (Reinforced Termination Strip)
3. Versico Purlin Fasteners
4. InsulTite Fasteners
5. Acceptable Insulation
6. Flute Filter
7. Existing Metal Roof
8. Structural Purlin



Features and Benefits

- Retrofit option provides a long-term solution to metal roof problems
- Securement options provide design flexibility
- Retrofit systems reduce noise associated with metal roofs
- Retrofit systems permit the addition of insulation to improve the energy efficiency of the structure

VersiGard EPDM Membrane is available in:

- Colors: Black (EPDM)
- Standard Widths: 10' (reinforced EPDM)
- Standard Length: 100'

Installation

An acceptable insulation is used to fill between standing seams. A membrane underlayment is installed and secured to the metal roof with Versico HPV Fasteners and Insulation Plates.

Versico manufactures a unique 9"-wide RTS strip with two 3" strips of QA Seam Tape on either side for added wind uplift resistance. Membrane securement is achieved by attaching reinforced EPDM membrane and RTS strips, positioned along the structural purlins. RTS is attached to the purlins with Versico Purlin Fasteners and Locking Seam Plates. Adjoining membrane sheets are spliced together using Versico's QA Seam Tape.



VERSICO
ROOFING SYSTEMS

A SINGLE SOURCE FOR SINGLE-PLY ROOFING

Versico, PO Box 1289, Carlisle, PA 17013
Tel: **800.992.7663** Fax: 717.960.4036 Web: **www.versico.com**



VERSIGARD

METAL RETROFIT

Metal Retrofit Fully Adhered Roofing System

Approved insulation is fastened with Versico Insulation fasteners and plates. Versico EPDM membrane is then adhered to the insulation with Versico's EPDM Bonding Adhesive.

Membrane and System Strengths

- Systems install quickly & easily over failing metal roofs
- Existing metal tear-off is typically unnecessary
- A specially-designed fastening system anchors into structural purlins (the strongest point of the roof)
- Metal Retrofit Systems cost less than complete metal roof replacement systems
- Versico's Reinforced EPDM membrane is durable, & exhibits puncture & tear resistance available in 45-, 60-, or 75-mil thickness

System Codes

- UL Class A, B and Universal Slope ratings are available
- Meets FM Loss Prevention data sheet I-31
- For code specifics, refer to Versico's Code Approval Guide

Quality Assurance

Versico Authorized Contractors have received training to install Versico's Metal Retrofit Roofing Systems.

Inspection


Upon installation completion, and prior to the issuance of a membrane system warranty, an inspection will be conducted by a Versico Field Service Representative.

Warranty

Consult your Authorized Contractor or a Versico Independent Sales Representative for associated warranty charges.

This system, properly installed and inspected on a commercial project may receive:

- 5-year to 30-year No Dollar Limit Total Systems Warranty coverage is available. Standard wind speed coverage is 55 mph. Additional wind speed warranties are available
- For more specifics please contact Versico

 ROOFING SYSTEMS OPTIONS		
FLUTES OF EXISTING METAL ROOF ARE FILLED WITH AN ACCEPTABLE INSULATION		
FLUTE FILLER ATTACHED BY	INSULATION IS LOOSE-LAID INTO FLUTES	INSULATION IS LOOSE-LAID INTO FLUTES OR SET INTO DASH DC™ ADHESIVE
APPROVED VERSICO INSULATION IS THEN LAID OVER EXISTING ROOF		
INSULATION ATTACHED BY	INSULATION IS MECHANICALLY FASTENED INTO EXISTING METAL WITH INSULTITE FASTENERS	HPVX FASTENERS SECURE INSULATION TO EXISTING METAL, DASH DC ADHESIVE
MEMBRANE ATTACHED BY	PURLIN FASTENERS USED TO FASTEN REINFORCED MEMBRANE INTO EXISTING PURLINS	SUBSTRATE ADHESIVE IS UTILIZED TO ADHERE MEMBRANE TO THE INSULATION

UL Class A Ratings available. For current Code Approvals and Warranties, visit Versico's web site or contact a Versico Design Analyst.

