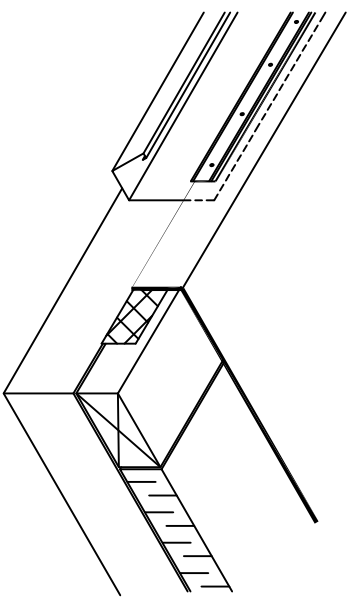
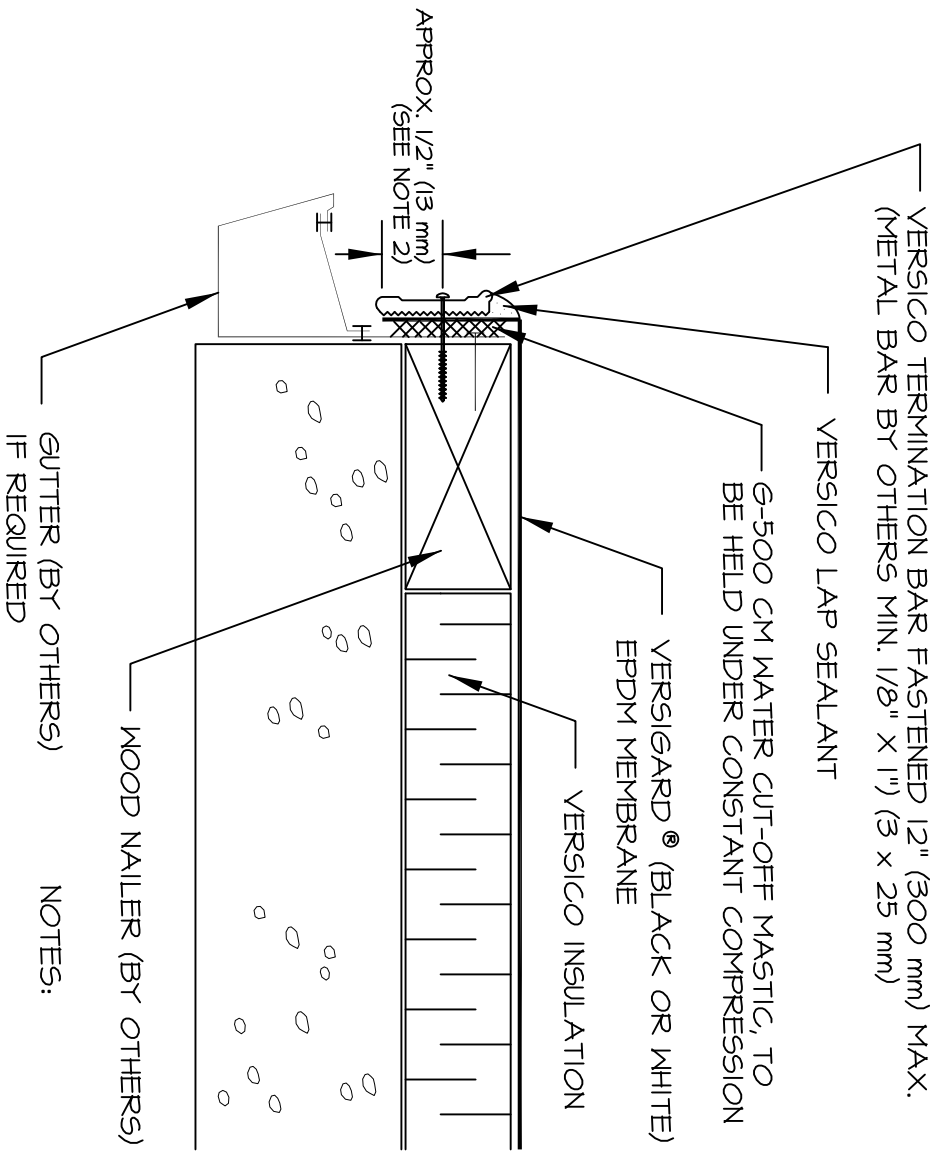


DETAIL NOT FOR USE WITH DESIGN "B" OR "C"

VERSICO TERMINATION BAR FASTENED 12" (300 mm) MAX. (METAL BAR BY OTHERS MIN. 1/8" X 1") (3 x 25 mm)



NOTES:

1. FASTENER PATTERN OF METAL BAR MUST PROVIDE CONSTANT COMPRESSION ON WATER CUT-OFF MASTIC.
2. WHEN REINFORCED MEMBRANE IS USED, ENSURE FASTENER PENETRATES REINFORCEMENT.

C-1.3

METAL BAR TERMINATION