

FASTENING PLATE AND
VERSICO SEAM FASTENER
MAX. 12" (300 mm) O.C.

VERSICO
3" (75 mm) WIDE
VERSICO (BLACK
OR WHITE) QA
SEAM TAPE

VERSICO
3" (75 mm) WIDE
VERSICO (BLACK
OR WHITE) QA
SEAM TAPE

VERSICO
3" (75 mm) WIDE
VERSICO (BLACK
OR WHITE) QA
SEAM TAPE

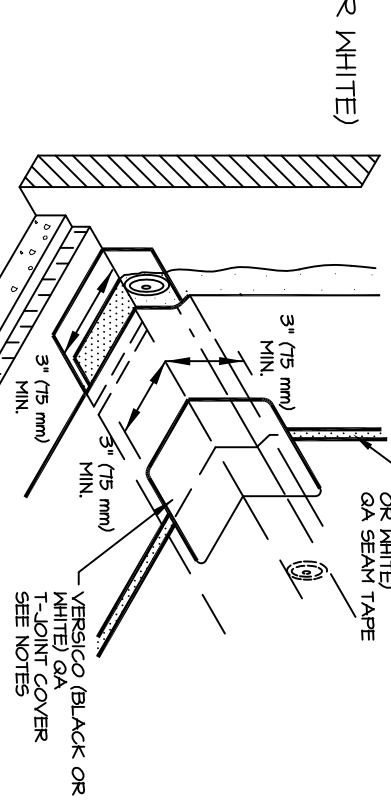
VERSICO
3" (75 mm) WIDE
VERSICO (BLACK
OR WHITE) QA
SEAM TAPE

VERSICO
3" (75 mm) WIDE
VERSICO (BLACK
OR WHITE) QA
SEAM TAPE

VERSICO
3" (75 mm) WIDE
VERSICO (BLACK
OR WHITE) QA
SEAM TAPE

VERSICO
3" (75 mm) WIDE
VERSICO (BLACK
OR WHITE) QA
SEAM TAPE

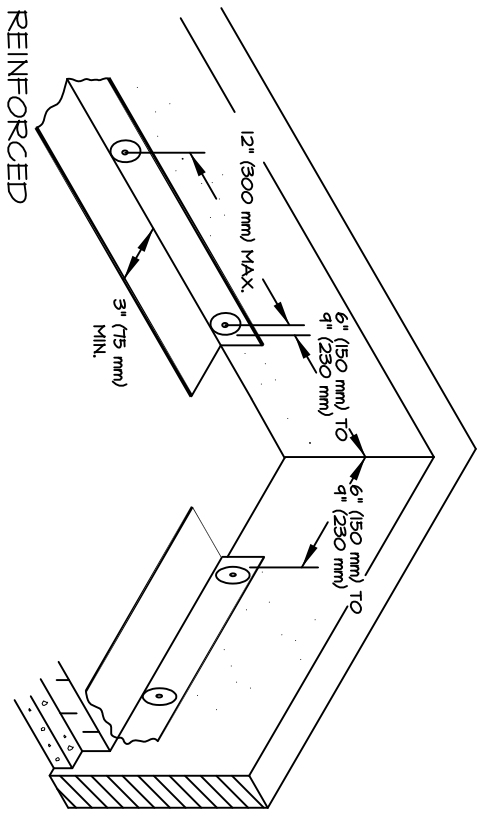
NOTES:



1. FOR CORNER APPLICATION, SEE DETAIL C-15.4

2. 6" (150 mm) WIDE QUICK APPLIED UNCURED EPDM FLASHING MAY ALSO BE CENTERED OVER FIELD SPLICE AT ANGLE CHANGE.

3. PRIOR TO INSTALLATION OF QA SEAM TAPE, APPLY V-150 PRIMER TO SPLICE AREAS.



C-12.4 OPTION #1

PARAPET/CURB WITH RTS (VERTICAL)

