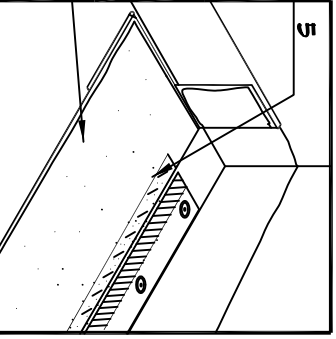
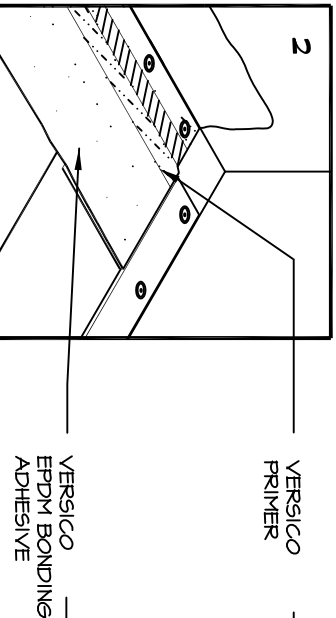
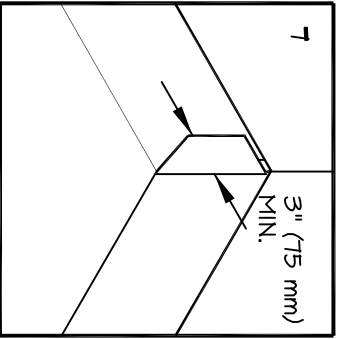
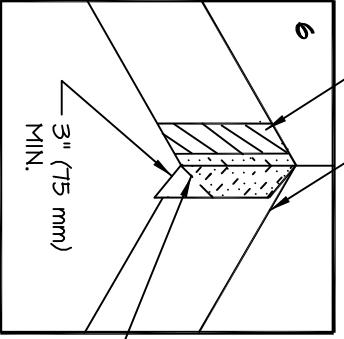
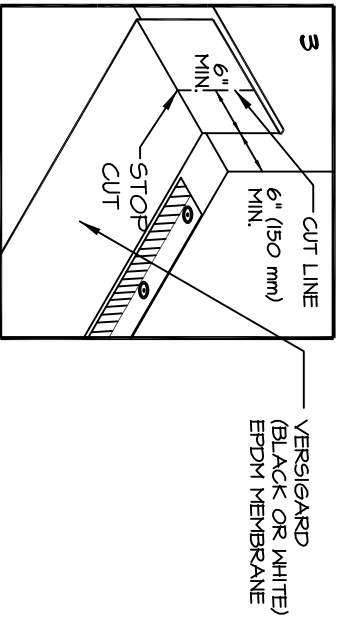
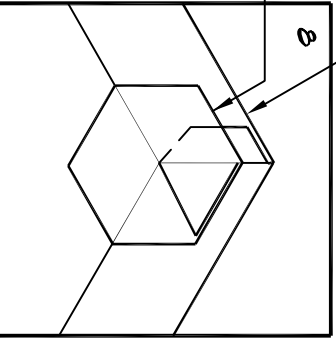


NOTES:
 1. FOR RTS SECUREMENT, REFER TO C-12.3 OR C-12.4.
 2. QUICK APPLIED UNCURD EPDM FLASHING OR VERSICO (BLACK OR WHITE) INSIDE/OUTSIDE CORNERS MUST BE USED.



APPROX. 9" X 9" (230 x 230 mm) VERSICO (BLACK OR WHITE) QUICK APPLIED UNCURD EPDM FLASHING AND MEMBRANE SPLICE



CUT 45° AND APPLY VERSICO PRIMER/ QA SEAM TAPE

C-15.4 (OPTION #1)
 INSIDE CORNER CONTINUOUS EPDM WALL FLASHING WITH RTS