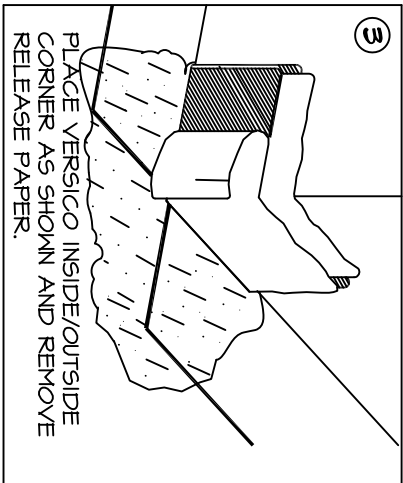
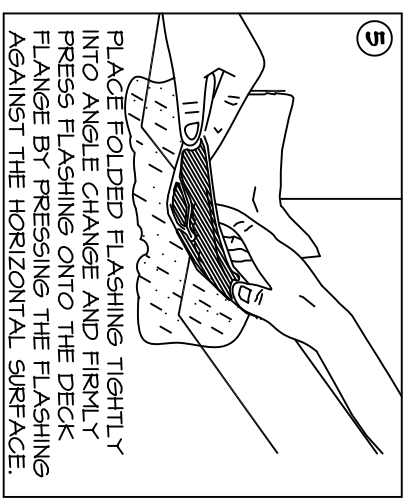


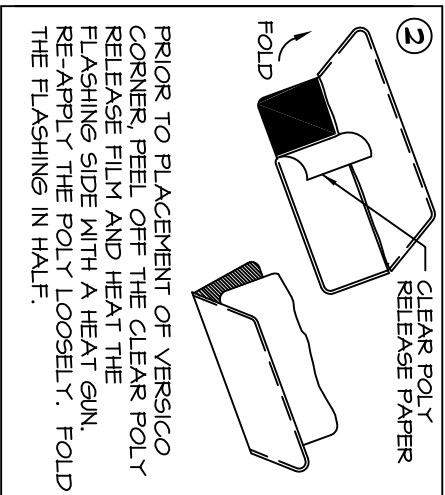
CLEAN THE DRY SPlice AREA OF THE EPDM MEMBRANE BY SCRUBBING WITH VERSICO PRIMER.



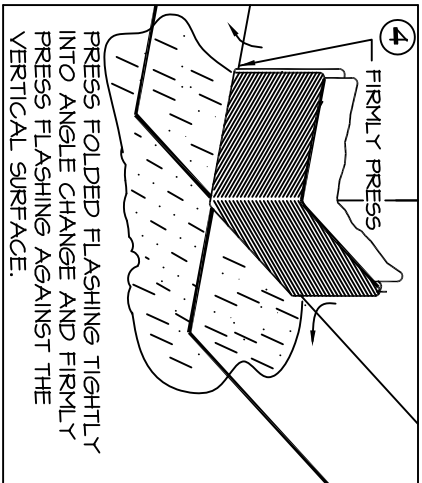
PLACE VERSICO INSIDE/OUTSIDE CORNER AS SHOWN AND REMOVE RELEASE PAPER.



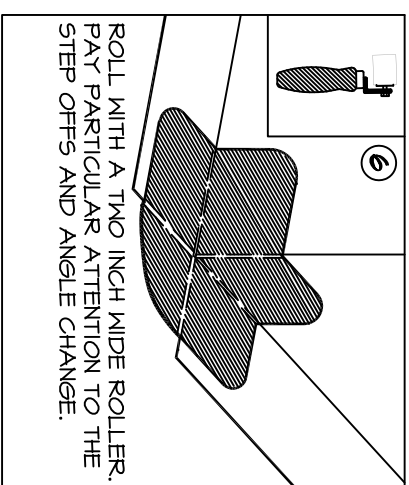
PLACE FOLDED FLASHING TIGHTLY INTO ANGLE CHANGE AND FIRMLY PRESS FLASHING ONTO THE DECK FLANGE BY PRESSING THE FLASHING AGAINST THE HORIZONTAL SURFACE.



PRIOR TO PLACEMENT OF VERSICO CORNER, PEEL OFF THE CLEAR POLY RELEASE FILM AND HEAT THE FLASHING SIDE WITH A HEAT GUN. RE-APPLY THE POLY LOOSELY. FOLD THE FLASHING IN HALF.



PRESS FOLDED FLASHING TIGHTLY INTO ANGLE CHANGE AND FIRMLY PRESS FLASHING AGAINST THE VERTICAL SURFACE.



PAY PARTICULAR ATTENTION TO THE STEP OFFS AND ANGLE CHANGE.

C-15.6
QUICK APPLIED (BLACK OR WHITE) OUTSIDE CORNER WITH CURED MEMBRANE