



VersiFleece AC EPDM/VersiFleece AC TPO

Mechanically Attached Recover

January 2009

A. General

VersiFleece AC EPDM or VersiFleece AC TPO Membrane may be loose laid and mechanically attached directly over Type III or IV smooth built-up roofing, mineral surfaced cap sheets, SBS or APP modified bitumen, or existing single-ply roofing. For AC EPDM membrane securement use Versico HPV Fasteners and Polymer Seam Plates. For the AC TPO membrane securement use Versico HPVX Fasteners and HPVX Plates.

Note: Installation of this mechanically attached AC Assembly is not suitable over ballasted single-ply systems or PVC roofs of any type. Contact Versico for recommendations and for specific substrate preparations and requirements.

B. Approved Deck Types (Building Height Less than 40 feet)

Minimum 22-gauge steel, minimum 1-inch thick wood planks or minimum 15/32-inch plywood are acceptable. Projects incorporating other deck types should be submitted to Carlisle for review prior to installation.

C. Membrane Placement

- Perimeter Membrane Placement** - Position 10' wide AC EPDM Membrane or 12' wide AC TPO Membrane parallel to the roof edge and chalk a line along the center of each sheet for positioning a row of seam fastening plates and fasteners to form two equal wide perimeter sheets.
- Field Membrane Placement** - Place consecutive rolls of AC Membrane and unroll so that the side of the sheet with a 6" salvage edge overlaps the opposite side of the adjacent membrane a minimum of 6".

Note: For steel decks the membrane shall be positioned perpendicular to the steel deck flutes.

D. Fastening Requirements

To determine Building Wind Zone refer to the Wind Zones as listed in Versico's Mechanically Attached Roofing System Specifications. Refer to table below for the number of perimeter sheets required. (A perimeter sheet is equal to one half the wide of the field sheet. Each 10' wide or 12' wide sheet with a row of securement is two rows of securement.)

Note: After securement of all perimeter enhancements, the application of the appropriate pressure-sensitive cover strip (in conjunction with Versico V-150 Primer for EPDM membrane or Versico TPO Primer for TPO Membrane) shall overlay the fasteners and plates.

Building Wind Zone	Deck Type	Perimeter Sheets
Zone 1 (100 mph or less)	Steel or Wood Plank Decks	2
	Plywood Decks	4
Zone 2 (100-119 mph)	Steel or Wood Plank Decks	4
	Plywood Decks	6
Projects located in Wind Zones 3 and 4 (119 mph or greater) or projects with a building height greater than 40 feet submit to Versico for review before installation for applicable enhancements.		

1. **Side Laps**

AC EPDM Membrane - At the side overlaps, fold back the top membrane with the 6" salvage edge and place Versico HPV Fasteners and Polymer Seam Plates along the edge of bottom membrane. Placement of the Versico HPV Fasteners and Polymer Seam Plates is 3" from edge of bottom membrane and fastened 12" on center. Refer to **Detail VGAC-MA-2.1**.

AC TPO Membrane - At the side overlaps, fold back the membrane with the 6" salvage edge place Versico HPVX Fasteners and HPVX Seam Plates along the edge of the bottom membrane. Placement of the Versico HPV Fasteners and HPVX Plates is 3" from edge of membrane and fastened 12" on center. Refer to **Detail VWAC-MA-2.1**.

2. **End Laps**

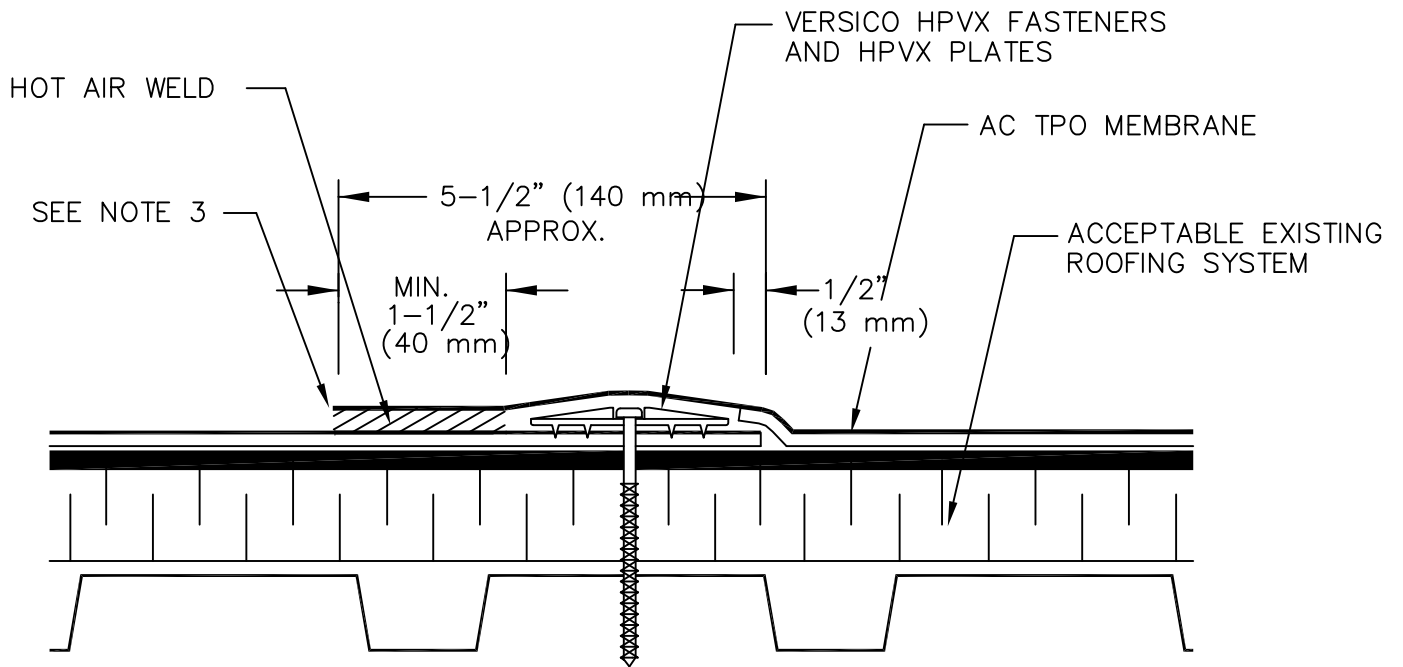
No fastening is required for membrane end laps. Either butt the end laps of the membrane sheets together and overlaid with 6" Cured EPDM adhered with splicing adhesives or 6" Reinforced TPO and heated weld. Refer to **Detail VGAC-MA-2.2 or VWAC-MA-2.2**.

E. Warranty

Projects meeting the conditions above can be eligible for a maximum 15-year System Warranty with wind speed coverage up to 55-mph peak gusts.

Versico Roofing Systems

VERSIFLEECE AC TPO MECHANICALLY ATTACHED



NOTES:

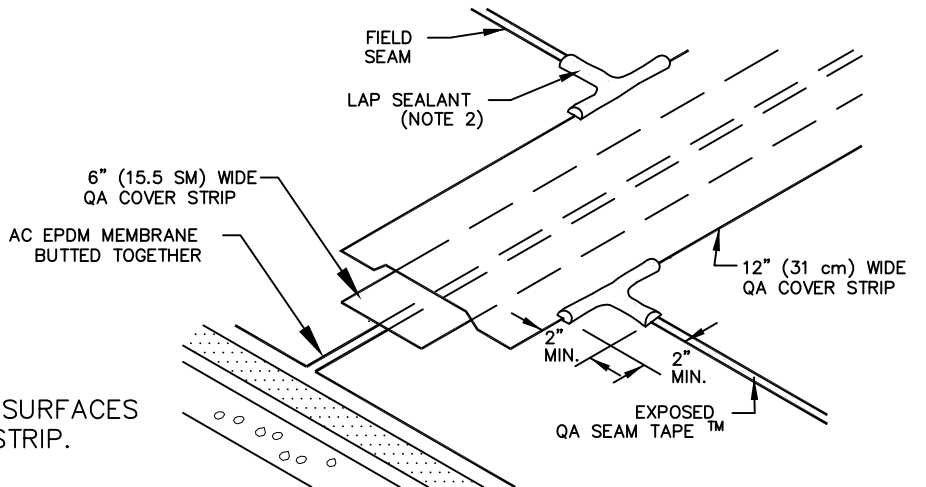
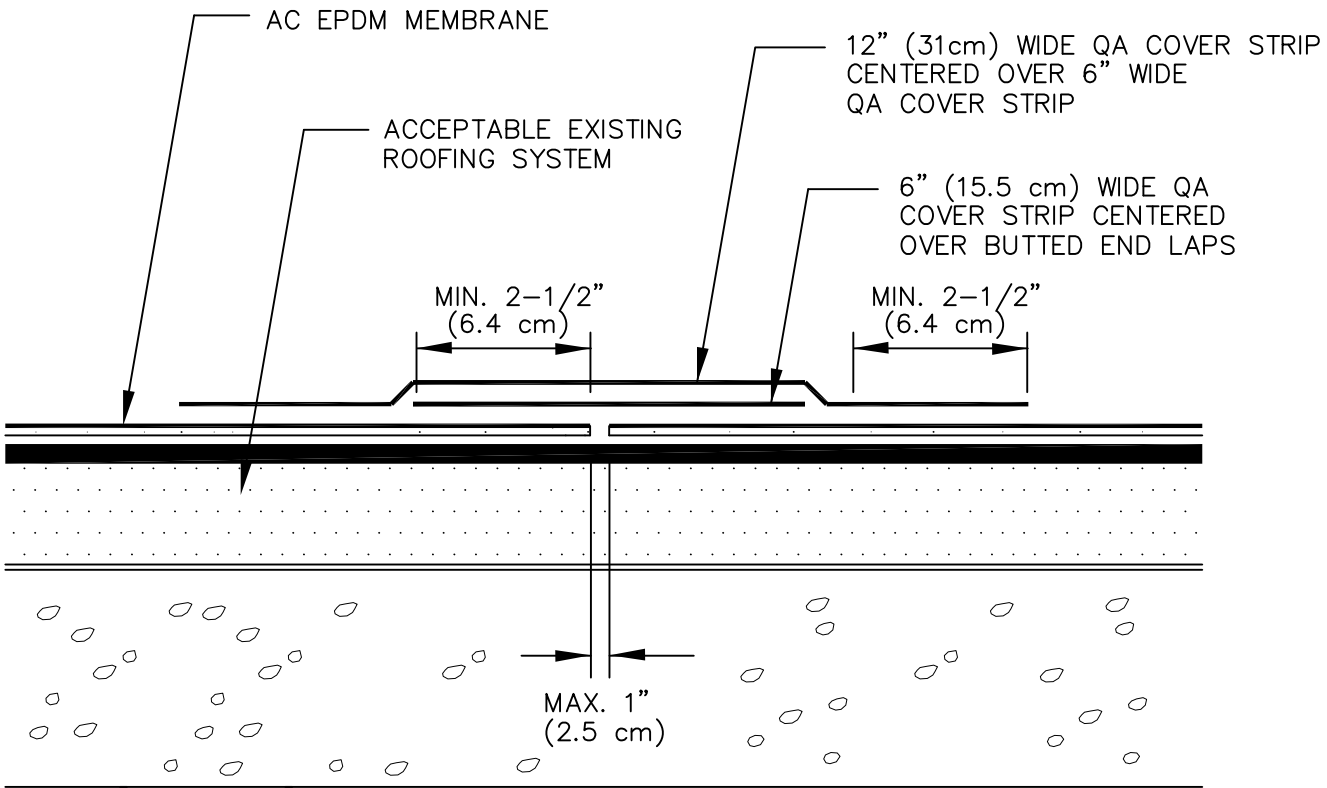
1. POSITION SEAM FASTENING PLATES BEYOND NON-REINFORCED ENCAPSULATED EDGE.
2. APPROXIMATELY 1/8" (3 mm) DIAMETER BEAD OF CUT-EDGE SEALANT IS REQUIRED ON CUT EDGES OF VERIWELD REINFORCED MEMBRANE.

LAP CROSS SECTION

VWAC-MA-2.1

Versico Roofing Systems

VERSIFLEECE AC EPDM MECHANICALLY ATTACHED



NOTE:

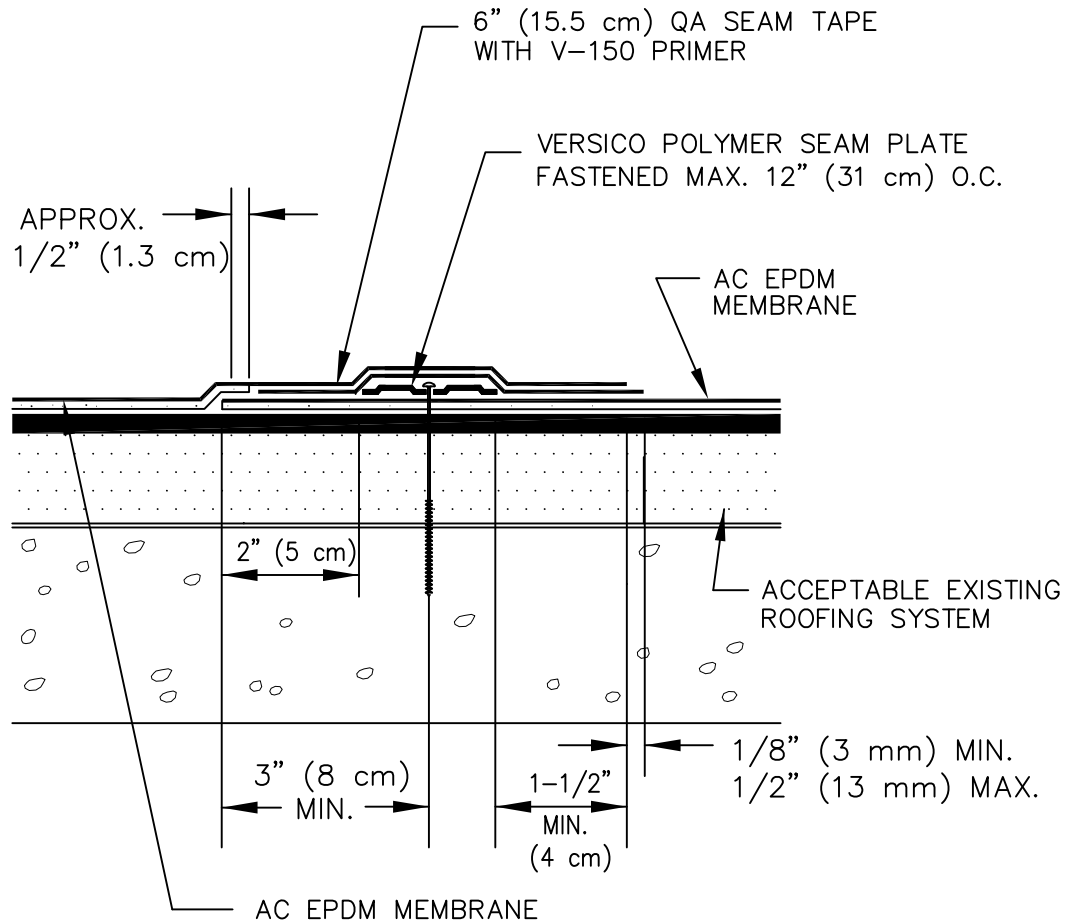
APPLY V-150 PRIMER TO MEMBRANE SURFACES PRIOR TO INSTALLING CURED COVER STRIP.

END LAP SEAM
MECHANICALLY ATTACHED

VGAC-MA-2.2

Versico Roofing Systems

VERSIFLEECE AC EPDM MECHANICALLY ATTACHED

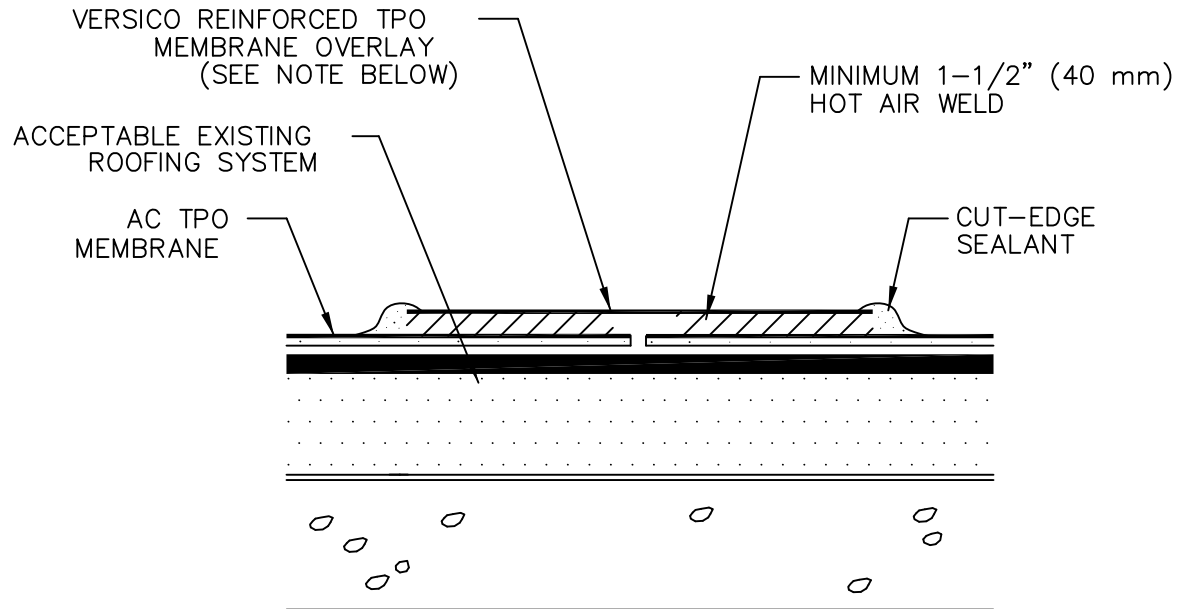


NOTES:

1. PRIOR TO APPLICATION OF QA SEAM TAPE, PREPARE SPLICE AREA WITH VERSIGARD V-150 PRIMER.
2. AT FIELD SEAM INTERSECTIONS, APPLY A 6 INCH (15.5 cm) WIDE SECTION OF QA COVER STRIP OR QA UNCURED EPDM FLASHING AND SEAL ALL EDGES WITH LAP SEALANT. REFER TO DETAIL MA-2.3.
3. REFER TO DETAIL VGAC-MA-2.2 FOR END LAP SEAMING PROCEDURES

Versico Roofing Systems

VERSIFLEECE AC TPO MECHANICALLY ATTACHED



NOTE:

WHEN USING VERSIFLEECE AC TPO 60-MIL MEMBRANE, INTERSECTIONS BETWEEN THE VERSIWELD REINFORCED MEMBRANE OVERLAY AND SEAMS MUST BE COVERED WITH A 6" X 6" (150 mm x 150 mm) SECTION OF VERSIWELD NON-REINFORCED FLASHING (HEAT WELDED).