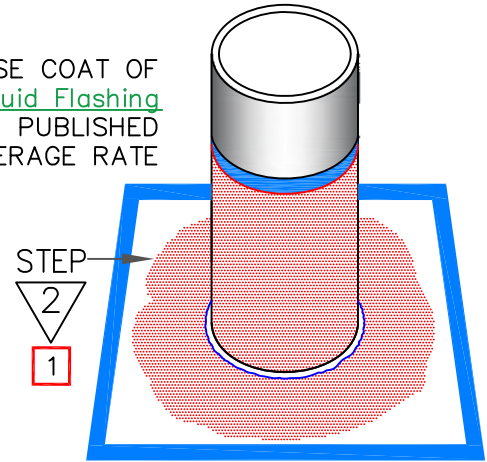
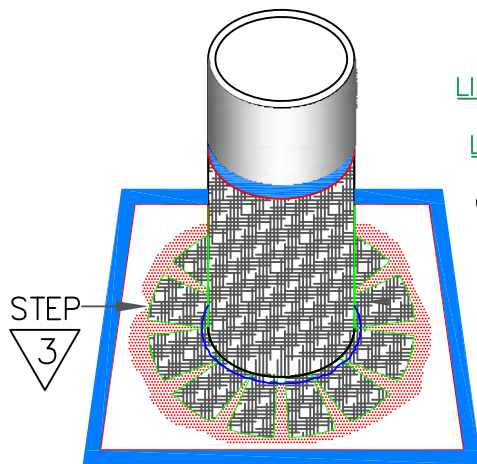


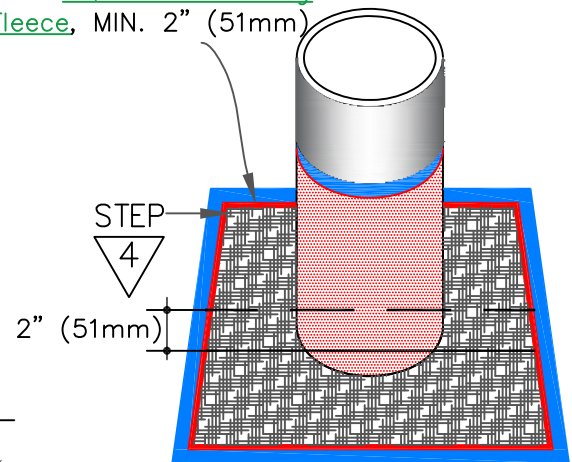
APPLY BASE COAT OF LIQUISEAL Liquid Flashing Resin PER PUBLISHED COVERAGE RATE



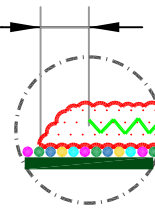
APPLY BASE COAT OF LIQUISEAL Liquid Flashing Resin ON HORIZONTAL SURFACES. IMMEDIATELY PRESS FLEECE INTO RESIN AND OVERLAP LIQUISEAL Flashing Fleece, MIN. 2" (51mm)



IMMEDIATELY PRESS LIQUISEAL Flashing Fleece INTO THE APPLIED LIQUISEAL Liquid Flashing Resin. APPLY SECOND COAT OF RESIN. ENSURE ALL ENDS OF FINGERS ARE PROPERLY EMBEDDED.



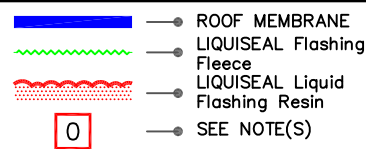
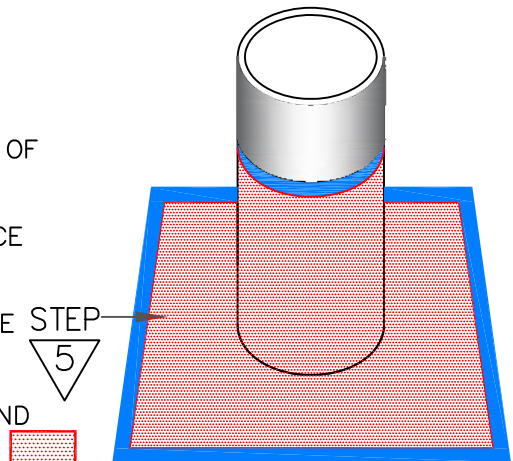
FLEECE MUST BE COVERED 1/4" - 1/2" (7mm - 13mm) PAST ALL EDGES

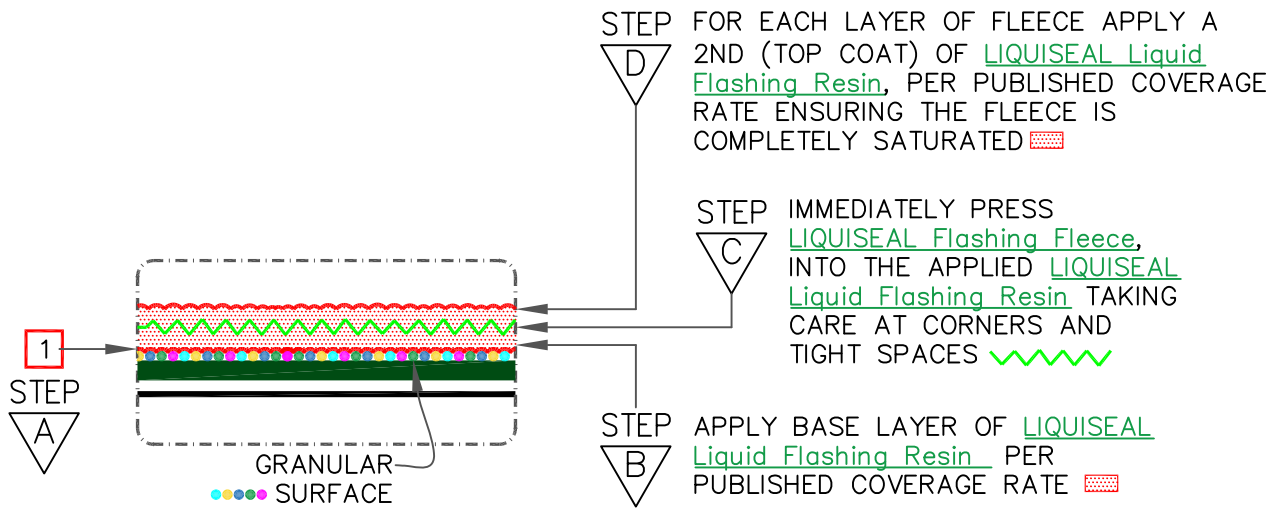


NOTES:

- FOR MULTIPLE PIPE PENETRATIONS [SEE STEP ZERO](#) ON SHEET [LF-8.1B](#) AND FOLLOW REST OF THE STEPS AS SHOWN FOR SINGLE PIPE FLASHING.
- REFER TO TABLES ON SHEETS [LF-A TO C](#) FOR DETAILED INSPECTION, CLEANING AND PRIMING FOR DIFFERENT MATERIALS WITHIN THE FLASHING AREAS.
- SEE [PAGE 2 OF 2](#) FOR ADDITIONAL NOTES.

APPLY A TOP COAT OF LIQUISEAL Liquid Flashing Resin, ENSURING THE FLEECE IS COMPLETELY SATURATED PER PUBLISHED COVERAGE RATE AND APPLY 1/4" - 1/2" (7mm - 13mm) BEYOND THE FLEECE EDGES





SEAM FASTENING PLATES & FASTENERS

DIMENSIONS	mm	TO
(A) 6"	152	TO
12"	305	
(B) 12"	305	MAX.

4 FASTENERS REQUIRED MIN.

PLAN VIEW

PIPE OUTSIDE DIAMETER < 6" (152mm)

PIPE OUTSIDE DIAMETER > 6" (152mm)

TABLE FOR FASTENER REQUIREMENTS ON MECHANICALLY FASTENED SYSTEMS. REFER TO VERSICO TYPICAL PENETRATION DETAILS FOR FLASHING OVER FASTENER HEADS.

NOTES CONTINUE FROM **LF-8.1A**

- WHEN THERE IS ENOUGH CLEARANCE BETWEEN MULTIPLE PENETRATIONS, INSTALL LIQUID FLASHING USING THIS DETAIL.
- WHEN INSTALLATION OF LIQUID FLASHING IS NOT FEASIBLE FOR MULTIPLE PIPE PENETRATIONS, THEN USE APPLICABLE STANDARD ROOF MEMBRANE DETAIL **(C-16)** FOR FIELD MEMBRANE TYPE.
- DETAIL NOT FOR USE ON WARRANTY PROJECTS EXCEEDING 20-YEARS. UNLESS OTHERWISE SPECIFIED.

