



# VERSITRIM 300/3000



Engineered Commercial  
Roof Edge Systems



**BUILDING VALUE**

# **VERSITRIM 300/3000**

## **Versico Roofing Systems: Building Value**

Versico was formed in 1993 through the acquisition of a major single-ply roofing manufacturer. Now, more than twenty-five years later, Versico has positioned itself as one of the top single-ply roofing system suppliers in the U.S. by focusing its efforts on quality products and exceptional service.

Versico has been instrumental in the development of today's leading technologies in the commercial roofing industry. With decades of experience in the single-ply roofing field, Versico is able to offer time-tested, proven solutions for your roofing needs.

Versico membranes and roofing systems are rigorously evaluated and tested to ensure that you receive an unmatched roof that will provide years of protection for your valuable assets.



### **Versico's VersiTrim 300/3000 Product Line**

- VersiTrim 3000XT Fascia
- VersiTrim 3000 Fascia
- VersiTrim 300 Coping
- VersiTrim 300 Plus Coping
- VersiTrim 300 Fascia
- VersiWeld 300 TPO & PVC Coated Drip Edge
- VersiTrim 300 Drip Edge
- VersiTrim 300 Gravel Stop
- VersiTrim 300 Gutter
- VersiTrim Accessories

### **Selecting the Ideal Perimeter Edge System for Your Building**

The importance of a properly designed roof edge system should not be underestimated. On average, the roof edge typically represents only 1% of a building's overall cost. However, improper design and installation of the roof edge can have catastrophic consequences. Selecting a properly designed and tested metal edge system can diminish the risks and result in a roof system that stands the test of time.

- A quality roof edge system will resist the inward pull of the roof system due to expansion and contraction.
- A quality roof edge system will resist the wind uplift forces that can peel the edge system off the building.

### **Available Warranties**

Versico employs stringent quality assurance protocols to ensure its products meet or exceed the strictest code requirements in the country. Independently tested and certified to withstand high winds, hail, fire, and wind-driven rain, Versico's edge metal is backed by industry-leading warranties, including:

- Versico Total Roofing System Warranty
- A fully transferrable 35-year, Non-Prorated Paint Finish Warranty

For complete information about warranty options, please contact your Versico independent sales representative.



### What is an ES-1 TESTED Roof Edge System?

The ANSI/SPRI ES-1 Standard is a reference for those who design, specify, fabricate, or install edge materials used with low-slope roofing systems. Based on the information in ASCE 7 Minimum Design Loads for Buildings and Other Structures, the purpose of ES-1 is to improve the longevity and safety of low-slope commercial roofs by incorporating quality edge metal systems.

ES-1 provides calculations and test methods for determining wind uplift pressures on perimeter roof edge terminations, helping to protect the entire system by reducing the risk of edge failure.

### ES-1 Compliant and Certified

Regardless of what level of wind resistance is required, Versico has an edge metal system for the job. Versico's ES-1 compliant edge metal systems are made of premium-quality, heavy-gauge materials and feature pre-punched, engineered cleats that are available in both continuous and segmented lengths. This unique cleat design takes the guesswork out of fastener spacing, prevents sag, and is quick and simple to install.

Versico's edge systems are available in a variety of gauges, colors, and design options.

- Coping widths of 4" to 32"
- Face dimensions of 2.5" to 13"
- Radius trim
- Riveted corners
- Welded aluminum corners

## VersiTrim Product Comparison Chart

	Product Name	ANSI/SPRI ES-1 Tested and FM Approved	Cleat Material	Installation Method	Maximum Tested Size	Standard Sizes	Custom Size Available	Installed Cost
Premium	VersiTrim 3000 XT Fascia	✓	Heavy Duty Extruded Aluminum	Snap-On	11.25" Face	3.75", 5.25", 6.75", 8.25", 11.25"	✗	\$\$\$
	VersiTrim 300 Plus Coping	✓	Formed 16 Gauge Steel	Snap-On	6" Face, 24" Wide Wall*	N/A	✓	\$\$\$\$
Preferred	VersiTrim 3000 Fascia	✓	Formed 20 Gauge Steel or .050 Aluminum	Snap-On	10" Face	3.75", 5.25", 6.75", 8.25", 11.25"	✓	\$
	VersiTrim 300 Fascia	✓	Formed 22 Gauge Steel	Snap-On	12" Face	5.5", 7", 8.5", 10"	✓	\$\$
	VersiTrim 300 Coping	✓	Formed 20 Gauge Steel	Snap-On	6" Face, 16" Wide Wall**	N/A	✓	\$\$\$
Basic	VersiTrim 300 Gravel Stop	✓	Formed 24 Gauge Steel	Nailed & Stripped In	8" Face	N/A	✓	\$\$
	VersiTrim 300 Drip Edge	✓	Formed 24 Gauge Steel	Nailed & Stripped In	8" Face	N/A	✓	\$\$

\*10" face, 32" wide wall allowable when continuous cleat is used.  
 \*\*10" face, 24" wide wall allowable when continuous cleat is used.



## VersiTrim 3000XT Fascia

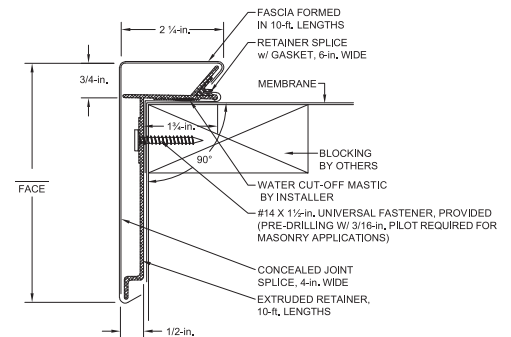
Versico's VersiTrim 3000XT is a two-part assembly that includes an extruded retainer cleat and a decorative snap-on fascia cover. The simple design allows for fast installation while delivering top of the line performance.

**Material:** Available in .040" (1.00 mm), .050" (1.25 mm), and .063" (1.60 mm) aluminum, and 24-gauge Kynar 500®-coated galvanized steel. The retainer cleat is .100" extruded aluminum with pre-punched slotted holes for fasteners at 12" (304.8 mm) on center (provided), and is available in 10' (3048 mm) standard lengths.

### Available Warranties:

- Versico Total Roofing System Warranty
- Fully transferrable 35-year, Non-Prorated Paint Finish Warranty

**Testing:** This material has been tested in accordance with ANSI/SPRI FM-4435 ES-1 Standard for Sustained Wind Speeds per the International Building Code.



### Specifications

Fascia Model	Face Height	Coverage	No. of Nailers Covered
SE3XT-375	3.75" (95.3 mm)	2.5" (63.5 mm)	1
SE3XT-525	5.25" (133.4 mm)	4.0" (101.6 mm)	2
SE3XT-675	6.75" (171.5 mm)	5.5" (139.7 mm)	3
SE3XT-825	8.25" (209.6 mm)	7.0" (177.8 mm)	4
SE3XT-1125	11.25" (285.8 mm)	10.0" (254.0 mm)	5

# VersiTrim 3000 Fascia

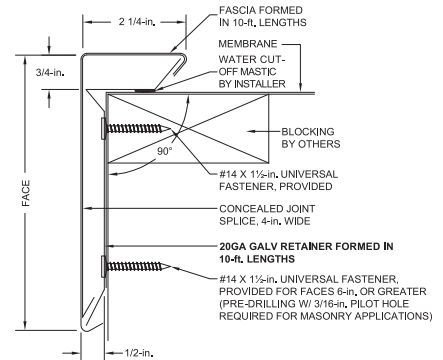
Versico's VersiTrim 3000 Fascia is a two-part assembly that includes a formed steel or aluminum retainer cleat and a decorative snap-on cover. The simple design allows for fast installation while still delivering excellent performance.

**Material:** Available in .040" (1.00 mm), .050" (1.25 mm), and .063" (1.60 mm) aluminum, and 24-gauge Kynar 500-coated galvanized steel. The retainer cleat is available in 20-gauge galvanized steel or .050" aluminum with pre-punched slotted holes for fasteners at 12" (304.8 mm) on center (provided), and is available in 10' standard length.

## Available Warranties:

- Versico Total Roofing System Warranty
- Fully transferrable 35-year, Non-Prorated Paint Finish Warranty

**Testing:** This material has been tested in accordance with ANSI/SPRI FM-4435 ES-1 Standard for Sustained Wind Speeds per the International Building Code.



## Specifications

Fascia Model	Face Height	Nailer Thickness Covered
SE3-375	3.75" (95.3 mm)	2.25" (57.2 mm)
SE3-525	5.25" (133.4 mm)	3.75" (95.3 mm)
SE3-675	6.75" (171.5 mm)	5.25" (133.4 mm)
SE3-825	8.25" (209.6 mm)	6.75" (171.5 mm)

# VersiTrim 300 Coping

Versico's VersiTrim 300 Coping is a two-part system that includes 20-gauge steel coping clips and a snap-on coping cap with concealed splice plates at all joints. The design offers excellent performance with an easy installation with a clean professional look.

**Material:** Available in .063" (1.60 mm), .050" (1.25 mm) or .040" (1.00 mm) aluminum, and 22-gauge or 24-gauge Kynar 500 coated galvanized steel. Clips are formed from 20 gauge galvanized steel with pre-punched slotted holes.

## Available Warranties:

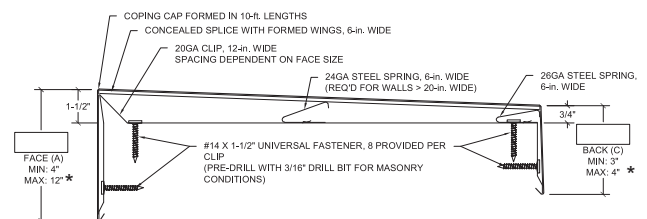
- Versico Total Roofing System Warranty
- Fully transferrable 35-year, Non-Prorated Paint Finish Warranty

**Testing:** This material has been tested in accordance with ANSI/SPRI FM-4435 ES-1 Standard for Sustained Wind Speeds per the International Building Code.



## Specifications

Standard Sizes	Material & Gauge	Finishes
Wall Sizes: 6"-32"	Aluminum - Standard is .050" & .063"	Mill Finish
Standard Face Size: 4"	Galvanized Steel - Standard is 24 gauge up to a 24" wall	Manufacturer's Standard Kynar 500 Colors
Minimum Face Size: 2 1/8"	Copper & Stainless Steel by request	Custom or Exotic Kynar 500 Post-Finished Colors
Maximum Face Size: 12"		Clear Anodized
Miter Leg Lengths: < 16" Wall = 23 1/4" 17"-23" Wall = 29 1/4" 24"-32" = Custom Length		Bronze Anodized



# VersiTrim 300 Plus Coping

Versico's VersiTrim 300 Plus Coping is a two-part system that includes heavy duty 16-gauge steel coping clips and a snap-on coping cap with concealed splice plates at all joints. The design offers top of the line performance with an easy installation for a clean professional look.

**Material:** Available in .063" (1.60 mm), .050" (1.25 mm) or .040" (1.00 mm) aluminum, and 22-gauge or 24-gauge Kynar 500 coated galvanized steel. Clips are formed from 16-gauge galvanized steel with pre-punched slotted holes.

## Available Warranties:

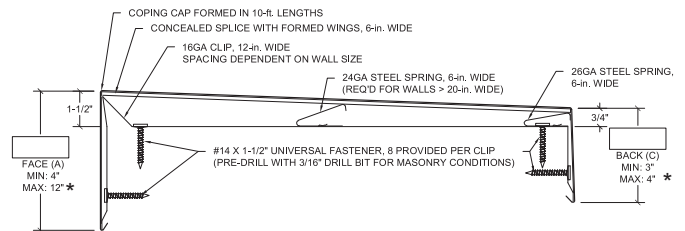
- Versico Total Roofing System Warranty
- Fully transferrable 35-year, Non-Prorated Paint Finish Warranty

**Testing:** This material has been tested in accordance with ANSI/SPRI FM-4435 ES-1 Standard for Sustained Wind Speeds per the International Building Code.



## Specifications

Standard Sizes	Material & Gauge	Finishes
Wall Sizes: 6"-32"	Aluminum - Standard is .050" & .063"	Mill Finish
Standard Face Size: 4"	Galvanized Steel - Standard is 24 gauge up to a 24" wall	Manufacturer's Standard Kynar 500 Colors
Minimum Face Size: 2 1/8"	Copper & Stainless Steel by request	Custom or Exotic Kynar 500 Post-Finished Colors
Maximum Face Size: 12"		Clear Anodized
Miter Leg Lengths: < 16" Wall = 23 1/4" 17"-23" Wall = 29 1/4" 24"-32" = Custom Length		Bronze Anodized



# VersiTrim 300 Fascia

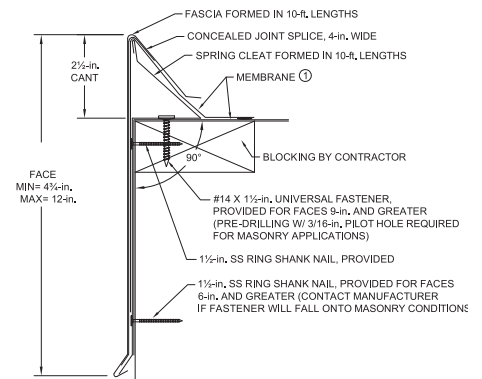
Versico's VersiTrim 300 Fascia is a two-part assembly that includes a formed galvanized steel spring cleat and a decorative snap-on cover. The design allows membrane to come up and over the cleat creating a water dam around the perimeter of the roof.

**Material:** Available in .063" (1.60 mm), .050" (1.25 mm) aluminum, and 24-gauge Kynar 500 coated galvanized steel.

## Available Warranties:

- Versico Total Roofing System Warranty
- Fully transferrable 35-year, Non-Prorated Paint Finish Warranty

**Testing:** This material has been tested in accordance with ANSI/SPRI FM-4435 ES-1 Standard for Sustained Wind Speeds per the International Building Code.



## Specifications

Fascia Model	Face Height	Coverage	Springclip Gauge
SE300-550	5.5" (139.7 mm)	2.25" (57.2 mm)	24 ga.
SE300-700	7.0" (177.8 mm)	3.75" (95.3 mm)	24 ga.
SE300-850	8.5" (215.9 mm)	5.25" (133.4 mm)	24 ga.
SE300-1000	10.0" (254.0 mm)	6.75" (171.5 mm)	24 ga.

# VersiWeld 300 TPO & PVC Coated Drip Edge

Versico's VersiWeld 300 TPO and PVC Coated Drip Edge is a two-part assembly that includes an L-shaped continuous cleat with pre-slotted fastening holes and a TPO or PVC coated cover with pre-slotted fastening holes on the roof flange. Membrane can be welded directly to the TPO or PVC coated cover, creating a watertight bond between the field of the roof and the edge metal.

**Material:** Available in Versico TPO or PVC Coated Metal.

**Available Warranties:**

- Versico Total Roofing System Warranty
- Fully transferrable 35-year, Non-Prorated Paint Finish Warranty

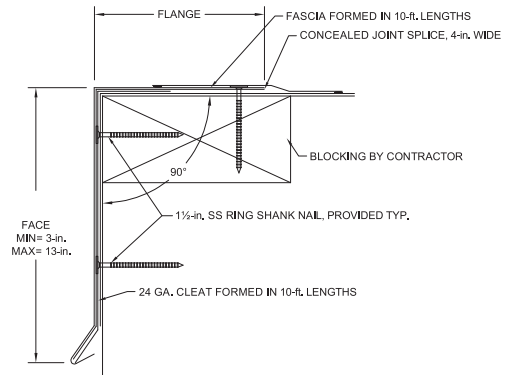
**Testing:** This material has been tested in accordance with ANSI/SPRI FM-4435 ES-1 Standard for Sustained Wind Speeds per the International Building Code.



**Specifications**

Cleat	Coverage
22 or 24 gauge galvanized steel	Up to 12.25"

Note: ANSI/SPRI FM-4435 ES-1 tested up to 6"



# VersiTrim 300 Drip Edge

Versico's VersiTrim 300 Drip Edge is a two-part assembly that includes an L-shaped continuous cleat with pre-slotted fastening holes and a decorative cover with pre-slotted fastening holes on the roof flange. Once the cleat and flange are fastened the drip-edge can be stripped in using Versico quick applied cover-strip and primer.

**Material:** Available in .040" (1.00 mm), .050" (1.25 mm), and .063" (1.60 mm) aluminum, and 24-gauge Kynar 500-coated galvanized steel.

**Available Warranties:**

- Versico Total Roofing System Warranty
- Fully transferrable 35-year, Non-Prorated Paint Finish Warranty

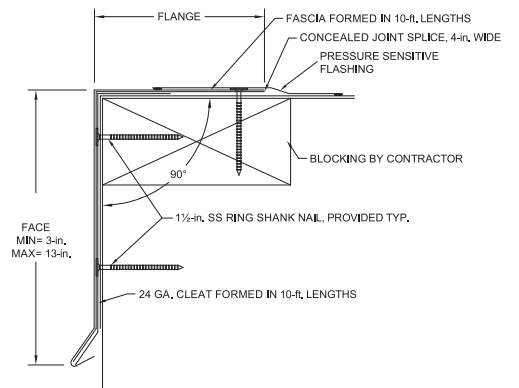
**Testing:** This material has been tested in accordance with ANSI/SPRI FM-4435 ES-1 Standard for Sustained Wind Speeds per the International Building Code.



**Specifications**

Cleat	Coverage
22 or 24 gauge galvanized steel	Up to 12.25"

Note: ANSI/SPRI FM-4435 ES-1 tested up to 6"



# VersiTrim 300 Gravel Stop

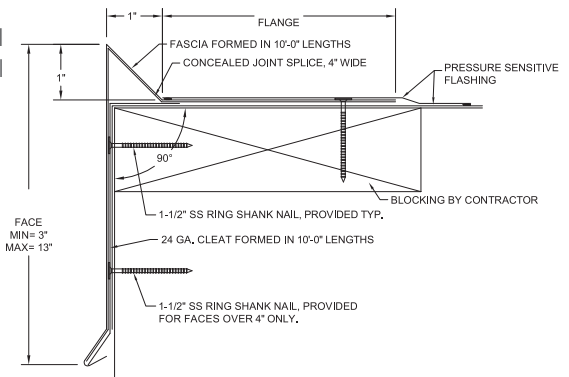
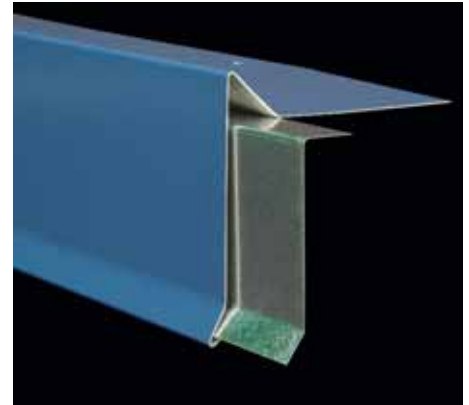
Versico's VersiTrim 300 Gravel Stop is a two-part assembly that includes an L-shaped continuous cleat with pre-slotted fastening holes and a decorative cover with pre-slotted fastening holes on the roof flange. It features a 1" rise above the roof surface to help prevent water on the roof from dripping down the metal face and outside walls of the building. Once the cleat and flange are fastened the drip-edge can be stripped in using Versico quick applied cover-strip and primer.

**Material:** Available in .040" (1.00 mm), .050" (1.25 mm), and .063" (1.60 mm) aluminum, as well as 24-gauge Kynar 500-coated galvanized steel.

## Available Warranties:

- Versico Total Roofing System Warranty
- Fully transferrable 35-year, Non-Prorated Paint Finish Warranty

**Testing:** This material has been tested in accordance with ANSI/SPRI FM-4435 ES-1 Standard for Sustained Wind Speeds per the International Building Code.



## Specifications

Cleat	Coverage
22 or 24 gauge galvanized steel	Up to 11.25"

Note: ANSI/SPRI FM-4435 ES-1 tested up to 6"

# VersiTrim 300 Gutter

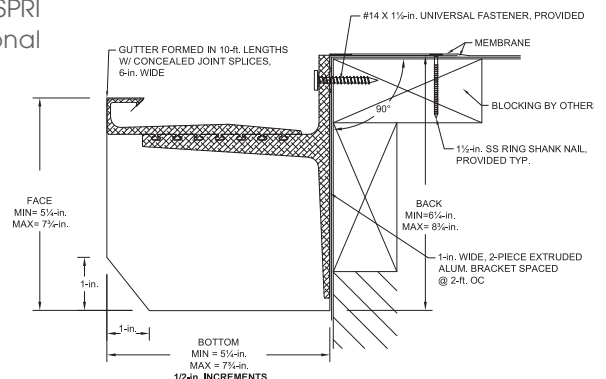
Versico's VersiTrim 300 Gutter system incorporates 1" wide extruded internal gutter brackets for strength and support. The system has been engineered to meet ANSI/SPRI GT-1 requirements for wind resistance and is available with 3 distinct looks to fit any building: box style, chamfer style, and offset.

**Material:** Available in .040" (1.00 mm), .050" (1.25 mm), or .063" (1.60 mm) aluminum, and 22-gauge or 24-gauge Kynar 500-coated galvanized steel. Gutter support brackets are extruded aluminum.

## Available Warranties:

- Versico Total Roofing System Warranty
- Fully transferrable 35-year, Non-Prorated Paint Finish Warranty

**Testing:** This material has been tested in accordance with ANSI/SPRI FM-4435 ES-1 Standard for Sustained Wind Speeds per the International Building Code.



## Specifications

Face Dimensions	5 1/4" min – 7 3/4" max (133.4 mm min- 196.9 mm max)
Bottom Dimensions	5 1/4" min – 7 3/4" max (133.4 mm min- 196.9 mm max)



# Versico's VersiTrim Accessories

## Counter Flashing

Versico VersiTrim counterflashing is offered in three styles: concealed mount two-piece counter flashing, drive lock two-piece thru-wall counterflashing, and surface mount one-piece counterflashing. All are available in .040 aluminum and 24 ga. Kynar coated galvanized steel.

## Water Control Accessories

Versico offers a variety of water control accessories including thru-wall scuppers, conductor heads and downspouts. All are offered in a variety of materials, thicknesses and colors, and all can be customized to meet specific project requirements.

## Perimeter Edge Blocking

Versico offers an engineered metal edge box system that replaces traditional wood blocking or nailers at the perimeter of a roof system with a formed 20 ga. galvanized steel assembly.

**Downspout Scupper  
Integrated into Fascia System**



**Thru-Wall Scupper**



**One-Piece Surface Mount  
Counter Flashing**



**Conductor Head**



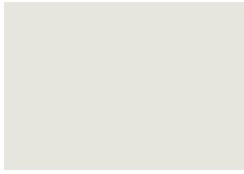
**Edge Box Perimeter Blocking**

## Minimum Metal Thickness for Flatness

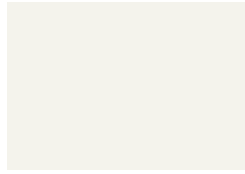
When selecting a metal roof edge system it is important to consider the height of the face and the type of metal being used. The table below is a recommendation from ANSI/SPRI ES-1 for selecting the right metal thickness. Using the proper metal type and thickness will ensure performance, reduce the risk of oil canning, and result in an aesthetically pleasing look.

Exposed Face	Galvanized Steel	Cold Rolled Copper	Formed Aluminum	Stainless Steel
Up to 4" (100 mm)	24 ga (0.028" and 0.7 mm)	16 oz (0.022" and 0.6 mm)	0.040" (1.0 mm)	26 ga (0.016" and 0.4 mm)
> 4" -8" (>100-200 mm)	24 ga (0.028" and 0.7 mm)	16 oz (0.022" and 0.6 mm)	0.050" (1.3 mm)	26 ga (0.016" and 0.4 mm)
> 8" -10" (>200-250 mm)	22 ga (0.034" and 0.9 mm)	20 oz (0.027" and 0.7 mm)	0.063" (1.6 mm)	24 ga (0.023" and 0.6 mm)
> 10" -16" (>250-400 mm)	20 ga (0.040" and 1.0 mm)	20 oz with stiffening ribs	0.080" (2.0 mm)	22 ga (0.029" and 0.7 mm)

# VersiTrim 300/3000 Series Color Chart



STONE WHITE\*



BONE WHITE (REGAL WHITE)



SANDSTONE



ALMOND



SIERRA TAN



BUCKSKIN



MEDIUM BRONZE



DARK BRONZE



ANTIQUÉ BRONZE  
(DARK BRONZE)



MIDNIGHT BRONZE\*



AGED BRONZE\*



MANSARD BROWN



BLACK (MATTE BLACK)



CITYSCAPE (DOVE GRAY)



SLATE GRAY



GRANITE\*



MUSKET GRAY\*



CHARCOAL\*



IRON ORE (CHARCOAL GRAY)



HEMLOCK GREEN



PATINA GREEN



FOREST GREEN



HARTFORD GREEN



BURGUNDY



COLONIAL RED



TERRA COTTA



CARDINAL RED\*  
(BRILLIANCE RED)



TEAL\*



MILITARY BLUE (SLATE BLUE)



PACIFIC BLUE



INTERSTATE BLUE\*  
(DEEP BLUE SEA)



AWARD BLUE\*



SILVER (BRIGHT SILVER) *P*



ZINC\* *P*



WEATHERED ZINC  
(PREWEATHERED GALVALUME) *P*



CHAMPAGNE *P*



COPPER PENNY  
(METALLIC COPPER) *P*



AGED COPPER\* *P*



DREXLUME™ *M*

( ) = MOST SIMILAR PREVIOUS  
VERSICO FLAT SHEET COLOR  
*P* = PREMIUM  
*M* = MILL FINISH  
\* = NEW COLOR

• = In Stock    ■ = Call for Availability - extended lead times may apply    ✓ = CRRC Approved Finishes    \* = New Color    ( ) = Most Similar Previous Versico Flat Sheet Color

Color Options	SR	SRI	24 ga	22 ga	0.032	0.040	0.050	0.063	Cool Roof Rated
<b>Standard Colors</b>									
Aged Bronze*	0.29	29	•		■		■		✓
Almond	0.53	62	•	■	■	•	•	■	✓
Antique Bronze (Dark Bronze)	0.29	28	•	■	■	•	•	■	
Black (Matte Black)	0.20	17	•	•	•	•	•	•	
Bone White (Regal White)	0.67	81	•	■	■	•	•	■	✓
Buckskin	0.38	41	•		•	■	■		
Burgundy	0.24	23	•		■	■	■		
Charcoal*	0.27	27	•		•	•	•		✓
Cityscape (Dove Gray)	0.44	49	•	•	•	•	•		✓
Colonial Red	0.32	34	•		•	•	•	■	✓
Dark Bronze	0.26	24	•	•	•	•	•	•	✓
Forest Green	0.10	6	•	■	•	•	•		
Granite*	0.32	33	•	■	•	•	•		✓
Hartford Green	0.29	29	•		■	■	■		
Hemlock Green	0.29	29	•		■	■	■		✓
Interstate Blue* (Deep Blue Sea)	0.13	8	•		•	•	•		
Iron Ore (Charcoal Gray)	0.27	26	•	■	■	•	•	■	
Mansard Brown	0.29	29	•	■	•	•	•		✓
Medium Bronze	0.26	26	•	•	•	•	•	•	✓
Midnight Bronze*	0.06	0	•		■	■	■		
Military Blue (Slate Blue)	0.29	29	•		•	■	■		✓
Musket Gray*	0.31	32	•	•	•	•	•		✓
Pacific Blue*	0.25	24	•		•	■	■		✓
Patina Green	0.33	34	•		•	■	■		✓
Sandstone	0.49	56	•	■	•	•	•	•	✓
Sierra Tan	0.36	39	•	•	•	•	•		✓
Slate Gray	0.37	40	•	■	•	•	•		✓
Stone White*	0.64	77	•	•	•	•	■	■	✓
Teal*	0.26	25	•		■	■			✓
Terra Cotta	0.36	39	•		•	•	•		✓
<b>Premium</b>									
Aged Copper*	0.26	25	■		■		■		✓
Champagne	0.40	42	■		•	■	•		✓
Copper Penny (Metallic Copper)	0.47	53	•		•	■	•		✓
Silver (Bright Silver)	0.49	54	•	•	•	•	•	•	✓
Weathered Zinc (Preweathered Galvalume®)	0.26	23	•	•	•	•	•		✓
Zinc*	0.33	35	•		•	•	•		✓
<b>Exotics - 10-year Color Fade Warranty</b>									
Award Blue (10-YR)*	0.21	17	•						
Cardinal Red (10-YR)*	0.37	39	•		■		•		✓
<b>Bare Products</b>									
Drexlume™			•	•					
Mill Finished Aluminum					•	•	■	■	
Clear Anodized					•	■	■	■	
Dark Bronze Anodized					■	■	■	■	
Black Anodized					■	■	■	■	
Vintage®			■						
Urban Slate			■						
HDG G90			•	•					

• 18 ga x 48" x 120"    • 20 ga x 48" x 120"    • 22 ga x 48" x 120"

- High-performance painted perimeter edge products.
- Versico Roofing Systems standard sheets come in 48" x 120".
- 35-year paint warranty on Galvalume® and Aluminum substrates, excluding Exotics.
- 25-year warranty on Drexlume™.
- Not all colors and gauges are stocked in all locations. Contact your Versico Independent Sales Representative for specific stocking information and special requests.

- Custom colors available.
- Oil canning is not a cause for rejection.
- Versico Roofing Systems standard colors are produced by Sherwin-Williams® Coil Coatings, Fluropon® a 70% PVDF Kynar 500® / Hylar® 5000 base resin with ceramic pigments. All colors are formulated to ensure consistent appearance, quality and long-term appearance.

PROUDLY FINISHED WITH  
**SHERWIN-WILLIAMS®**  
 Coil Coatings

Colors shown represent the actual color as closely as possible. To ensure exact color for final approval, a metal color chip is available. Warranty statements mentioned are outlines; complete Limited Warranty information is available on request. No other warranty expressed or implied is applicable. Please call or visit [www.versico.com](http://www.versico.com) for more details.



**A SINGLE SOURCE FOR SINGLE-PLY ROOFING**

800.992.7663 • [www.versico.com](http://www.versico.com)