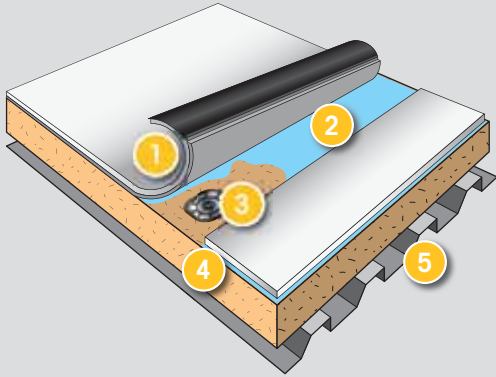




Fully Adhered Systems



Typical Applications

- 1 Versico VersiFleece Membrane
- 2 Versico Adhesive
- 3 Acceptable Attachment
- 4 Versico Approved Insulation
- 5 Approved Roof Deck

VersiFleece 5-, 10-, 15-, and 20-year Total System Warranties*

1. Membrane***:

- 100-mil VersiFleece TPO (15-year max.)
- 115-mil VersiFleece TPO
- 135-mil VersiFleece TPO
- 105-mil VersiFleece PVC (15-year max.)
- 115-mil VersiFleece PVC
- 135-mil VersiFleece PVC
- 105-mil VersiFleece KEE HP
- 115-mil VersiFleece KEE HP
- 135-mil VersiFleece KEE HP
- 115-mil VersiFleece RL EPDM
- 115-mil VersiFleece RL TPO

2. Membrane Bonding Adhesive:

- Flexible DASH Adhesive
- Hydrobond Water Based Bonding Adhesive
- Aqua Base 120

3. Versico Insulation Fasteners and Insulation Plates or Adhesive:

- DASH Adhesive
- Flexible DASH Adhesive
- HPV (steel/wood)
- Insulfite (steel/wood)
- ASAP (steel/wood)
- CD-10 (concrete)
- HPVX (steel/wood)
- MP 14-10 (concrete)
- GypTec® (gypsum or cementitious wood fiber)
- Lite-Deck (gypsum or cementitious wood fiber)

4. Cover Board (optional):

- SecurShield™ HD
- SecurShield HD Plus
- DuraStorm VSH
- SecurShield HD RL
- SECUROCK® Gypsum-Fiber (new construction and tear-offs only)
- DensDeck® Prime or DensDeck (new construction and tear-offs only)
- 7/16" OSB (new construction and tear-offs only)
- Recovery Board (15-year max. on re-cover)

5. Versico Approved Insulation:

- VersiCore MP-H® Polyiso
- SecurShield Polyiso
- SecurShield HD Composite
- Insulfoam EPS (cover board required)
- Insulfoam EPS Composite
- XPS (cover board required)
- VersiCore MP-H Polyiso RL
- DuraFacer
- Optim-R (SecurShield HD coverboard required)
- DeckVent (SecurShield insulation required)

6. Vapor Barrier (optional for new construction and tear-offs only):

- VapAir Seal™ 725TR (direct to concrete, wood, gypsum, or thermal barrier)
- VapAir Seal MD (direct to metal deck only, fastening of above insulation board required)
- SureMB 90/120TG Base (direct to concrete or thermal barrier only)
- SureMB 90 Base Ply (see Versico Specs and Details)

- Polyethylene (by others, fastening of above insulation board required)
- G2 Base Sheet

7. Thermal Barrier (optional for new construction and tear-offs only, not for use directly over concrete decks):

- DensDeck Prime
- SECUROCK Gypsum-Fiber

8. Deck:

- 22-gauge steel or heavier
- Structural concrete
- Wood plank
- Minimum 15/32" plywood
- Gypsum
- Cementitious wood fiber
- Approved lightweight insulating concrete

9. Metal Edging:

- Shop-fabricated metal
- Versico VersiTrim
- Metal by others

10. Applicable Details:

- VF-1, VF-2, VF-3, VF-6, VF-8, VF-9, VF-12, VF-15, VF-16, VF-18, VF-25**

11. Construction Type:

- New construction
- Complete tear-off
- Re-cover (remove and replace wet or damaged insulation prior to installation)

12. Slope:

- Positive slope required.

*Buildings up to 100-feet tall with 55-mph wind speed coverage. Projects requiring warranty wind speeds greater than 55 mph should be reviewed by a Versico representative. All products must be supplied by Versico to be included in the warranty coverage. All roof systems can only be accepted upon inspection by a Versico Field Service Representative. Versico reserves the right to change or enhance any of the above components due to specific or unique project conditions. The intent of this document is to verify the proposed roof assembly meets the requested warranty. Versico is not responsible for local and state building code requirements, and any discrepancy should be clarified by the design professional of record. Refer to Versico's most currently published specifications and details for additional information.

**Includes all iterations of each detail. For example, VF-1 encompasses VF-1.1, VF-1.2, VF-1.3, VF-1.4, VF-1.5, and VF-1.6.

***Membrane adhesive bead spacing: Up to 15-year: Maximum 12" on center in the field and 6" on center in the perimeters and corners. 20-year: Maximum 6" on center bead spacing.



A SINGLE SOURCE FOR SINGLE-PLY ROOFING

800.992.7663 • www.versico.com



Insulation Fastening Rates 5-, 10-, 15-, and 20-year Warranties

Top layer of insulation / coverboard	4' x 8' board ^{2,3}	Bead adhesive spacing for 4' x 4' boards ^{1,4}	
		Field	Field Perimeter
Minimum 1.5"-thick VersiCore MP-H Polyiso, SecurShield Polyiso, or SecurShield HD Composite Polyiso Insulation	10	12" o.c.	6" o.c.
Minimum 2.0"-thick VersiCore MP-H Polyiso, SecurShield Polyiso, SecurShield HD Composite Polyiso Insulation, or VersiCore MP-H Polyiso RL	8	12" o.c.	6" o.c.
½"-thick SecurShield HD Plus ⁶ or DuraStorm	8	12" o.c.	6" o.c.
Minimum ¼"-thick DensDeck Prime or SECUROCK Gypsum-Fiber Roof Board ⁶	12	12" o.c.	6" o.c.
½"-thick SecurShield HD, Recovery Board ⁶ SecurShield HD RL, or Min. 1" thick VersiCore MP-H Polyiso	16	12" o.c.	6" o.c.
1½" DuraFaceR	17	12" o.c.	6" o.c.
Optim-R	N/A	12" o.c.	6" o.c.
DeckVent	16	N/A	N/A

¹ Insulation bead spacing shall not exceed 6" on center when adhered directly to steel decking.

² For gypsum, OSB, and cementitious wood fiber decks, insulation board must be fastened with 16 fasteners and insulation plates per 4' x 8' board. Beads of adhesive shall not exceed 6" on center directly over gypsum and cementitious wood fiber decks.

³ For buildings 51-100' tall, enhance a minimum 12'-wide perimeter with 50% more insulation fasteners and plates.

⁴ Existing roof: insulation bead spacing shall not exceed 6" on center in the field and 4" on center in the perimeters and corners over gravel-surface BUR.

⁵ Minimum of 1.5"-thick insulation is required over existing coal tar pitch.

⁶ Cover boards must be installed over a minimum 1"-thick Versico approved insulation on Steel Decks.



© 2019 Versico. 12.09.19

A SINGLE SOURCE FOR SINGLE-PLY ROOFING

800.992.7663 • www.versico.com

SecurShield, VapAir Seal, VersiCore, and VersiTrim are trademarks of Versico. OlyBond and GypTec are registered trademarks of OMG, Inc. DensDeck is a registered trademark of Georgia-Pacific Gypsum LLC. SECUROCK is a registered trademark of USG Corporation.